

RAMO 30 I, M12, round collar, lamp white, bezel blue, M12 4-pin A-coded



fields of application

- › Measurement-control-regulation
- › Electrical engineering
- › Mechanical and system engineering
- › Vehicle construction
- › Chemical industry
- › Industrial robots

special features

- › Energy-efficient and bright LED signal lamp
- › 180° field of vision
- › Single-piece mono-housing
- › Unique series with easy Plug&Play connection
- › Completely tailored design – fits the RAFIX range of control components
- › Installation size: 30.3 mm
- › Available in a large range of colors



description

RAMO I signal lamps extend the range with a bright, energy-efficient signal lamp. The concave bezel means the reflected beam angle and angle of vision are more than 180°. It also provides a different look to the RAMO T pushbuttons. The signal lamp is available in five colors. Just like all RAMO actuators, connection is simple using Plug&Play and without any manual wiring – with M12 sensor cables.

With the RAMO I FLEXLAB signal lamps an individual configuration of the lens color and labeling is possible by the customer. This allows maximum flexibility. Lenses are additionally required as accessories.

Additional information according to UL certificate:

For Class 2 Power Source or Limited Voltage / Limited Current only

Installation only by trained specialist personnel.

Type 4x Indoor only with cable "Cat. No. 7000-08061-0210100 PUR 4x0.25mm² with M8 connector, rated max. 30VAC/DC 4A, manufactured by Murrelektronik GmbH" and "Cat. No. 7000-12221-0340100 PUR 4x0.34mm² with M12 connector, rated max. 30VAC/DC 4A, manufactured by Murrelektronik GmbH"

For Use on a Flat Surface of a Type 1 or 4x indoor only Enclosure.

technical data

> general

Color	black
Bezel color	blue
Property of bezel / mushroom	translucent
Collar color	black
Front ring color	stainless steel
Luminous element color	white
Collar shape	round
Operating temperature, min.	-40 °C
Storage temperature, min.	-40 °C
Operating temperature, max.	85 °C
Storage temperature, max.	85 °C
illuminated	Yes
Luminous elements	LED
Packaging	Box
Packaging unit	10 pcs.
net weight	22.4 g
Degree of protection, front side, according to DIN EN 60529	IP66 IP67 IP69
Degree of protection, rear side, according to DIN EN 60529	IP66 IP67
UL Enclosure Type Rating front side	type 4X
Environment resistance	IEC 60068-2-14 IEC 60068-2-30 IEC 60068-2-78
Salt-spray resistance according to standard	IEC 60068-2-11
shock resistance	04
MOQ order	10 pcs.
Pollution degree acc. to DIN EN 61010-1	Pollution degree 2
RoHS compliant	Yes
REACH compliant	Yes

> mounting diameters

Mounting hole	30.3 mm
Mounting depth	36.4 mm
Installation height	5.4 mm
Grid, min.	35 mm
Outside dimension, length	34.5 mm
Outside dimension, width	34.5 mm
Outside dimension, height	41.8 mm

> mechanical data

Fixing	Threaded ring
--------	---------------

direct links

> [RAFI eCatalog](#)

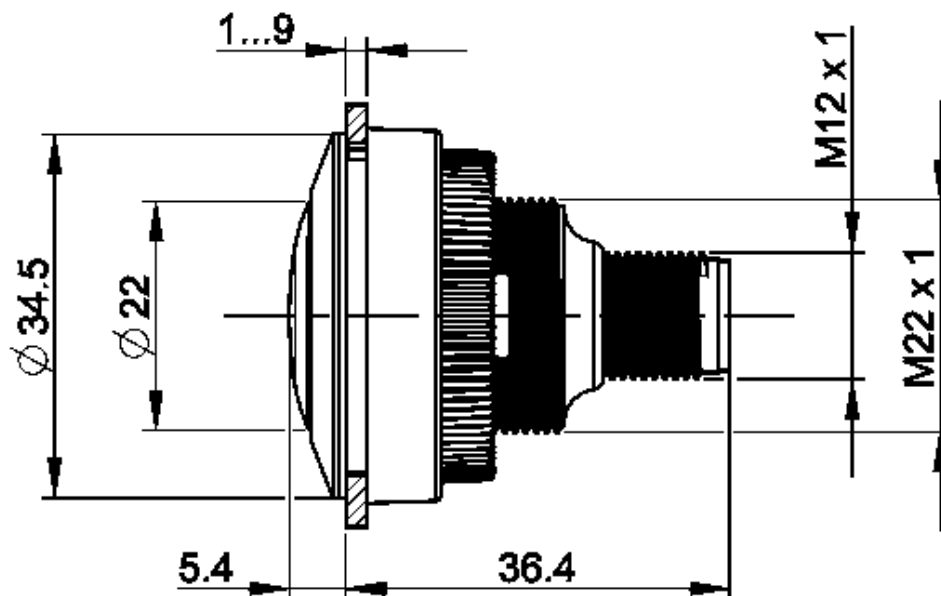
Threaded ring torque, max.	1.2 Nm
Terminal on the rear	M12 4-pin A-coded
PIN 2	LED +
PIN 3	GND

➤ **electrical data**

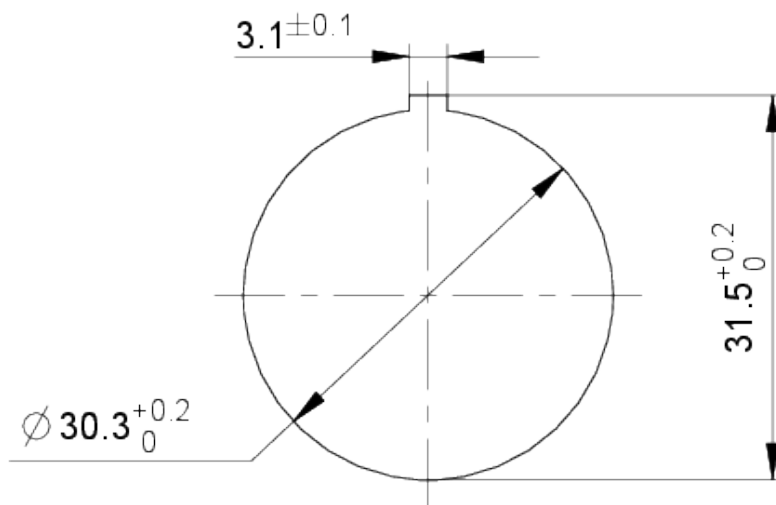
Rated insulation voltage	250 V
Rated surge voltage	800 V
Rated operating voltage	DC 20 - 28 V
Operating voltage of the luminous element, min.	20 V
Operating voltage of the luminous element, max.	28 V
Voltage type	DC
Rated operating current	0.01 A
Rated operating voltage	20-28 V
Operating current of the luminous element, min.	8 mA
Operating current of the luminous element, max.	12 mA
Power loss	0.7 W
Overvoltage category	2
Kind of short circuit protective device	fuse 250 V / 0,1 A / 1,5 kA gG quick
Conditional short circuit current	1,000 A

drawings

Dimensioned drawing



Mounting hole drawing



Schematic diagram

