

## MICON 5, SMT low, 3.6 ± 0.7 N, 1 NO

**LBL\_NRFND**


### fields of application

- › Measurement-control-regulation
- › Mechanical and system engineering
- › Automotive
- › Electro-medical

### special features

- › Gold contacts, reliable switching with low currents
- › Special tactile feedback
- › High packing density due to small form factor (5.1 x 6.4 mm)
- › Different operating forces
- › Ring and full illumination of the button surface due to plunger
- › Variable overall heights due to plunger
- › Terminal technology: SMT
- › Traceability through product identification in accordance with DIN EN ISO 9001



### description

MICON 5 tactile switches offer extreme switching reliability, with a very small space requirement. They can be arranged individually, in rows or as key blocks. For use beneath overlays, we recommend combining the MICON 5 tactile switches with plungers. Here are the properties at a glance:

- › Suitable for the most important soldering techniques
- › Soldering bath for THT versions
- › Reflow soldering for SMT versions
- › Vapor phase soldering for SMT versions
- › Manual soldering
- › Processing of the SMT design with SMT automatic assembly machines
- › IMDS entry

MICON 5, SMT nieder mit einer Bauhöhe von nur 3,45 mm Verarbeitungshinweis: Sonderpipette (Siemens Siplace Best.-Nr. 348514-02) Bestückung mit Revolverkopf. Vorschlag für Schablonendruck: 150 µm-Schablone mit 10% Pad-Verkleinerung auf Fläche

### technical data

#### › general

|  |                                     |
|--|-------------------------------------|
| Operating temperature, min.                  | -40 °C                              |
| Operating temperature, max.                  | 90 °C                               |
| Storage temperature, min.                    | -40 °C                              |
| Storage temperature, max.                    | 90 °C                               |
| illuminated                                  | No                                  |
| Soldering                                    | Reflow                              |
| Solder heat resistance according to standard | DIN EN 60068-2-58<br>DIN EN 61760-1 |

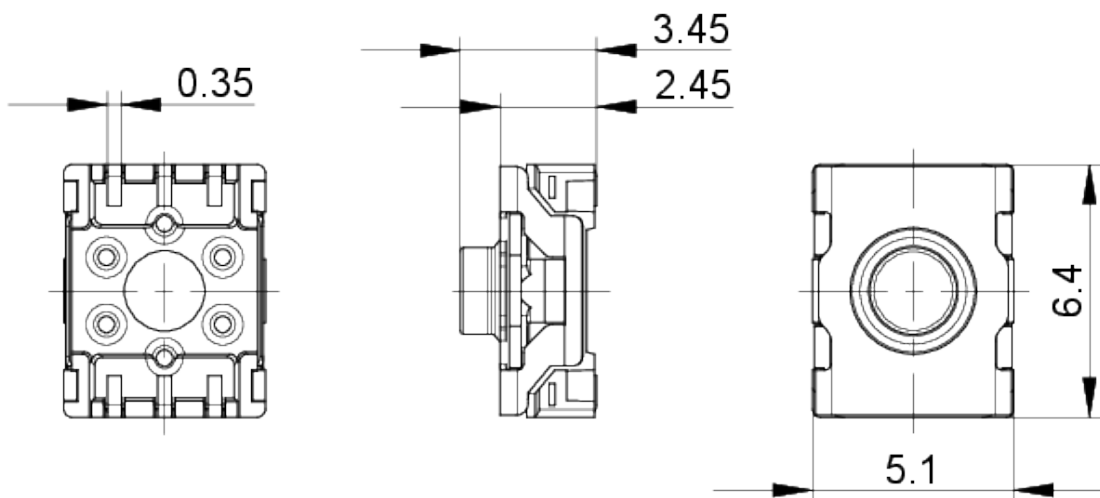
#### direct links

- › [RAFI eCatalog](#)

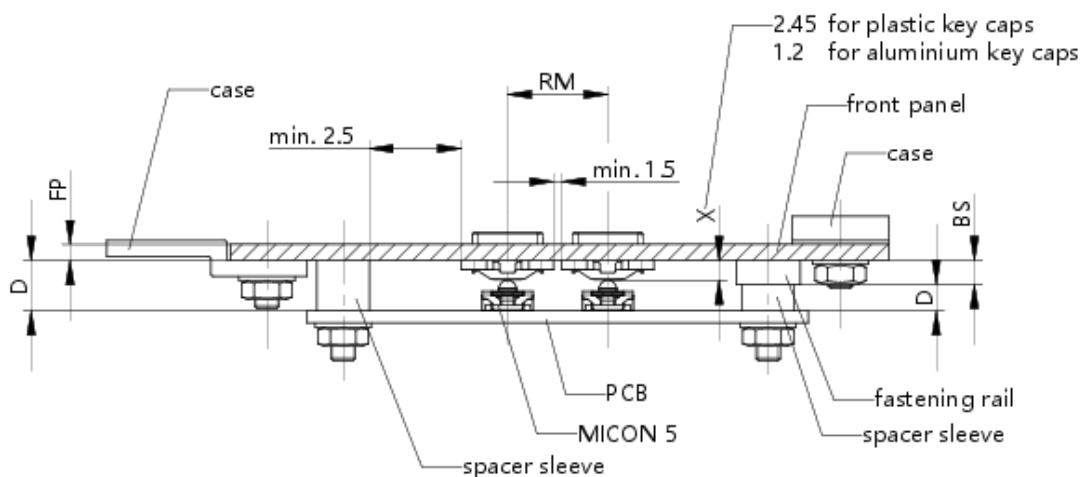
|  |  |
|--|--|
| Packaging  | Blister  |
| Packaging unit   | 2,100 pcs.   |
| net weight   | 0.3 g  |
| Operating life   | 250,000 cycles   |
| B10  | 325,000 cycles   |
| MSL Moisture Sensitivity Level                             | 1  |
| Shock resistance according to standard IEC 60068-2-27      | 100 g at 6 ms amplitude semi-sinusoidal                |
| oscillation resistance according to standard IEC 60068-2-6 | 5 g at 10...500 Hz                                     |
| MOQ order  | 2,100 pcs.   |
| RoHS compliant   | Yes  |
| REACH compliant  | Yes  |
| <b>&gt; mounting diameters</b>                             |  |
| Outside dimension, length                                  | 6.4 ± 0.1 mm   |
| Outside dimension, width                                   | 5.1 ± 0.1 mm   |
| Installation height  | 3.45 ± 0.1 mm  |
| Grid, min.   | 6 x 7.8 mm   |
| <b>&gt; mechanical data</b>                                |  |
| Actuation function   | momentary contact function                             |
| Operating force, max.                                      | 6 N  |
| Operating force, min.                                      | 3.6 ± 0.7 N  |
| Switching travel   | 0.7 ± 0.15 mm  |
| Contact function   | 1 NO   |
| Contact system   | Snap-action contact<br>SPST - Single Pole Single Throw |
| Contact material   | Gold   |
| Solderability  | Yes  |
| Terminal on the rear                                       | SMT  |
| <b>&gt; electrical data</b>                                |  |
| Rated voltage, min.  | 0.02 V   |
| Rated voltage, max.  | 35 V   |
| Dielectric strength  | 250 V  |
| Rated current, min.  | 0.00001 A  |
| Rated current, max.  | 0.1 A  |
| Rated power, max.  | 1 W  |

**drawings**

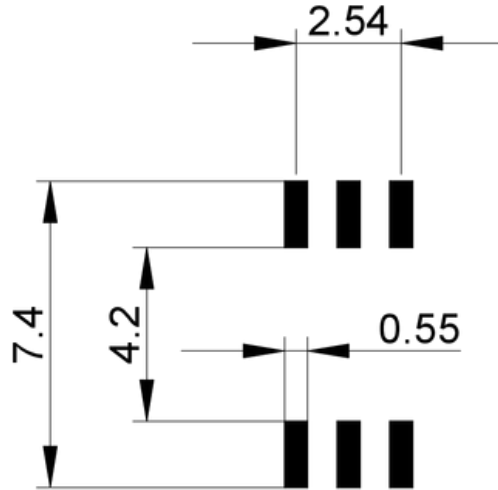
**Dimensioned drawing**



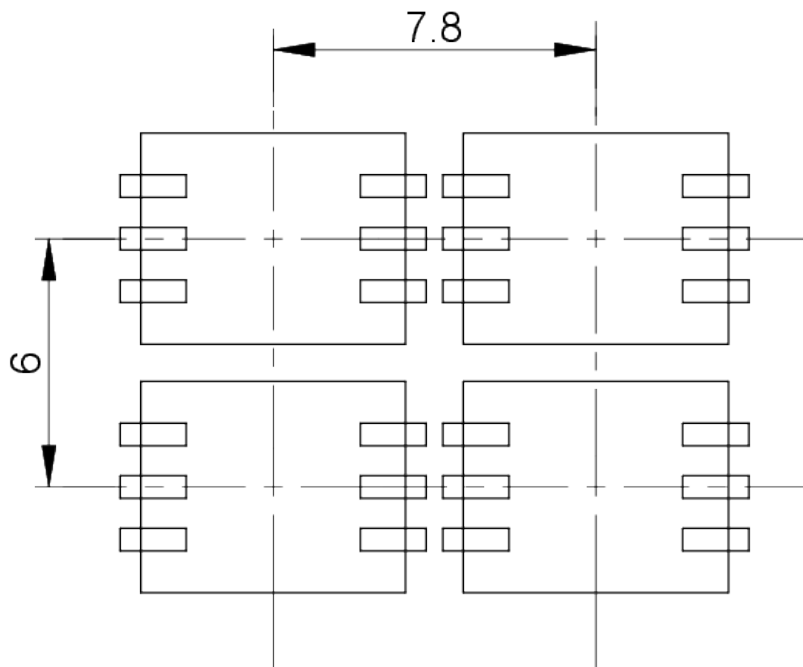
**System drawing**



PCB drawing

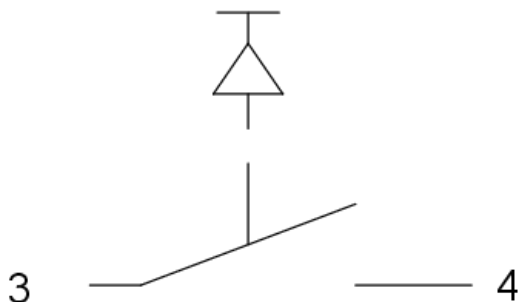
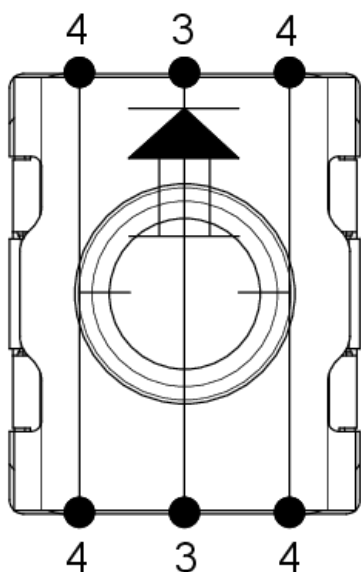


PCB drawing



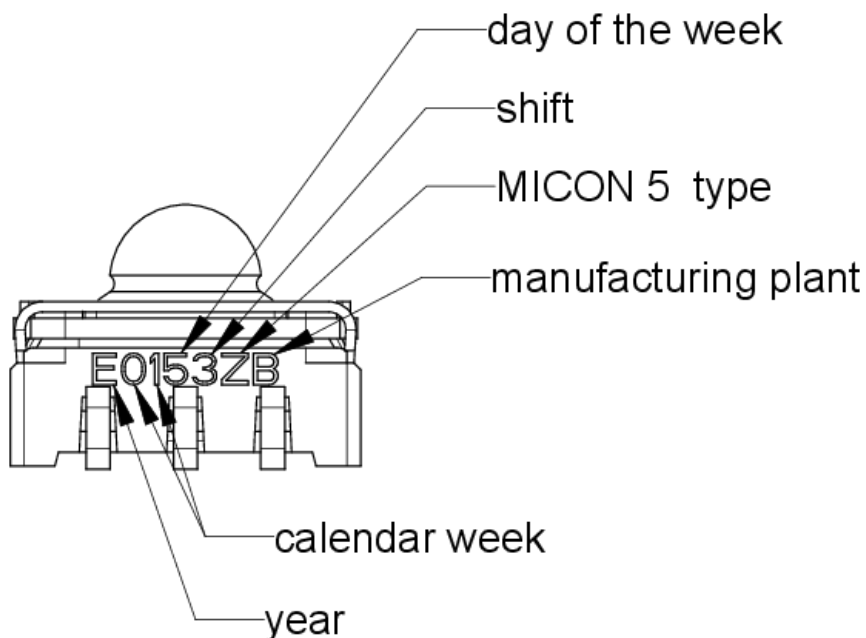
MICON 5 SMT

**Schematic diagram**

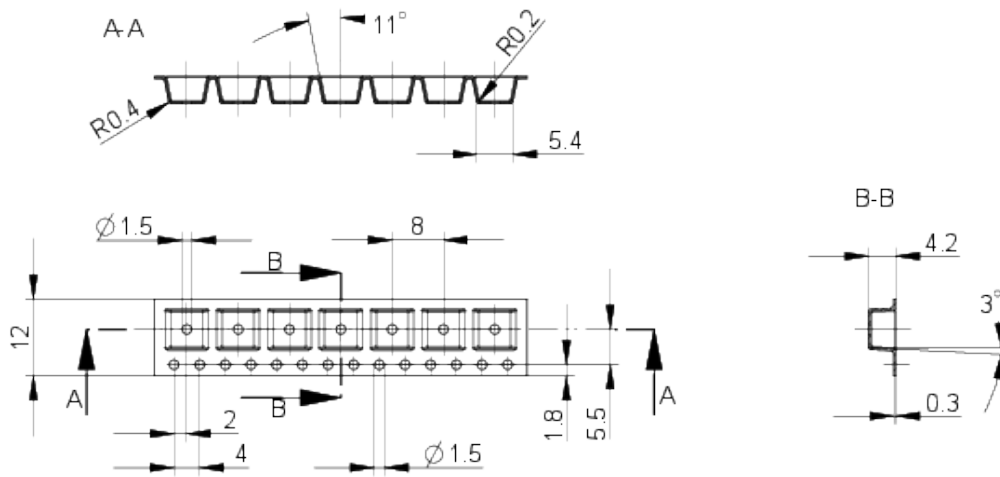


Circuit symbol according to IEC 617

**Product labeling drawing**



Packaging drawing

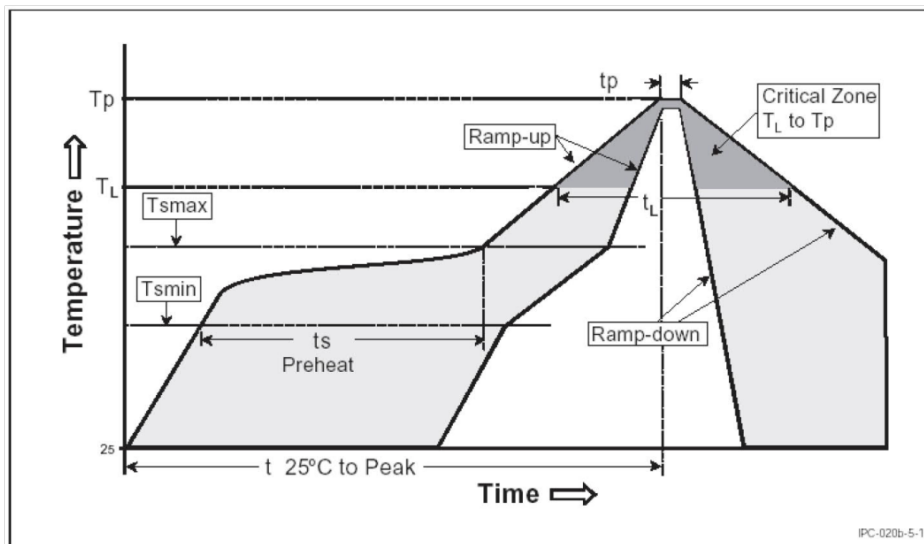


mounting

RAFI soldering profile for ROHS compliant reflow components



Publication date: October 7, 2021



| Parameter  | RAFI values         |
|--|---------------------|
| Gradient ( $T_L$ to $T_P$ )                            | max. 3°C / s        |
| <b>Preheating zone</b>                                 |                     |
| Minimum temperature ( $T_{smin}$ )                     | 150°C               |
| Maximum temperature ( $T_{smax}$ )                     | 200°C               |
| Time (from min. to max.) ( $t_s$ )                     | 60 - 120 s          |
| Gradient ( $T_{smax}$ to $T_L$ )                       | max. 3°C / s        |
| Time over melting temperature ( $T_L$ ) time ( $t_L$ ) | 217°C<br>60 - 150 s |
| Peak temperature ( $T_P$ )                             | max. 260°C (+0°C)   |
| Time within peak temperature - 5°C ( $t_p$ )           | 20-40 s             |
| Gradient ramp down                                     | max. 6°C / s        |
| Time difference from 25°C to peak temperature          | max. 8 minutes      |

The reflow soldering profile is based on the definition of Jecdec J-STD-020D.

The information in this sheet only contains general descriptions and / or performance features, which may not apply precisely as described to the respective application, and which may change due to further product enhancements. The technical data, illustrations and other information about our products are the mere results of individual technical testing. These descriptions and other product features are only binding if they expressly agreed upon at the time of the conclusion of a binding contract. In all other cases, we reserve the right to make technical changes as well as changes of availability. Pictures and other graphic illustrations are approximations only. All product names may be trademarks or brand names of the RAFI Group or any other sub-supplier of RAFI. The use of such by any third parties for their own purposes may infringe the rights of the respective entity holding those rights. Subject to change and errors excepted. Details about delivery times and availability are noncommittal and have no legal force.

RAFI GmbH & Co. KG  
Ravensburger Str. 128-134, 88276 Berg / Ravensburg  
GERMANY – www.rafi-group.com

page 1 of 1