

MICON 5 S, THT standard, 5.0 ± 1.0 N, 1 NO



fields of application

- › Measurement-control-regulation
- › Mechanical and system engineering
- › Automotive
- › Electro-medical

special features

- › Gold contacts, reliable switching with low currents
- › Special tactile feedback
- › High packing density due to small form factor (5.1 x 6.4 mm)
- › Different operating forces
- › Ring and full illumination of the button surface due to plunger
- › Variable overall heights due to plunger
- › Terminal technology: SMT
- › Traceability through product identification in accordance with DIN EN ISO 9001



description

MICON 5 tactile switches offer extreme switching reliability, with a very small space requirement. They can be arranged individually, in rows or as key blocks. For use beneath overlays, we recommend combining the MICON 5 tactile switches with plungers. Here are the properties at a glance:

- › Suitable for the most important soldering techniques
- › Soldering bath for THT versions
- › Reflow soldering for SMT versions
- › Vapor phase soldering for SMT versions
- › Manual soldering
- › Processing of the SMT design with SMT automatic assembly machines
- › IMDS entry

MICON 5, THT standard, suitable for keycaps from the accessories range Packaging: in rails with 102 pieces each

technical data

› general

| | |
|--|-------------------|
| Operating temperature, min. | -40 °C |
| Operating temperature, max. | 125 °C |
| Storage temperature, min. | -40 °C |
| Storage temperature, max. | 90 °C |
| illuminated | No |
| Soldering | Manual / wave |
| Solder heat resistance according to standard | DIN EN 60068-2-20 |
| Packaging | Tube |

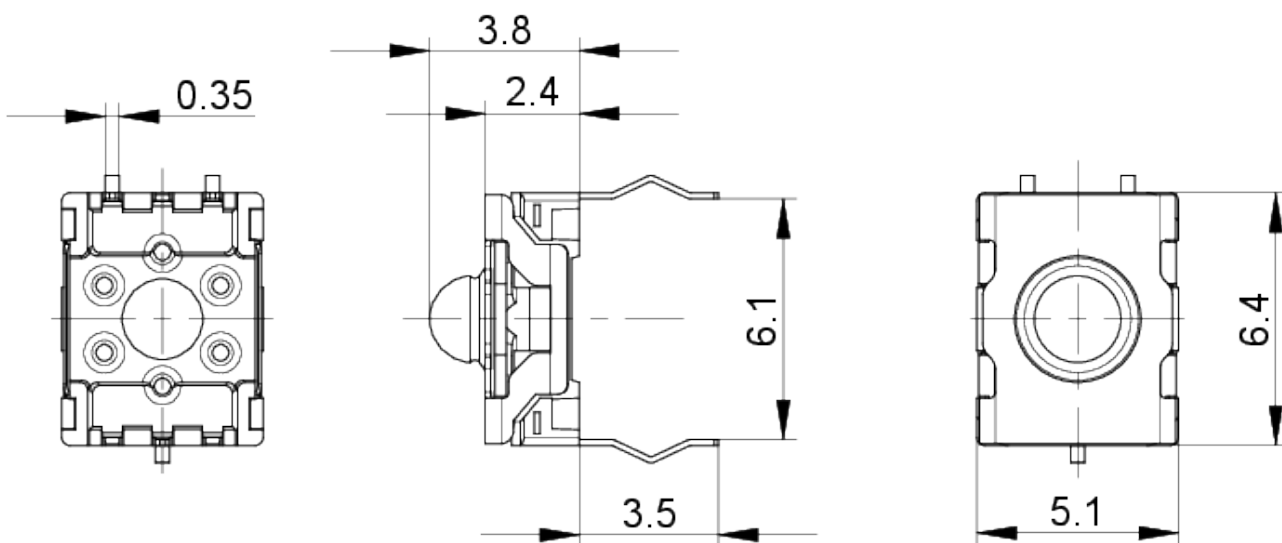
direct links

- › [RAFI eCatalog](#)

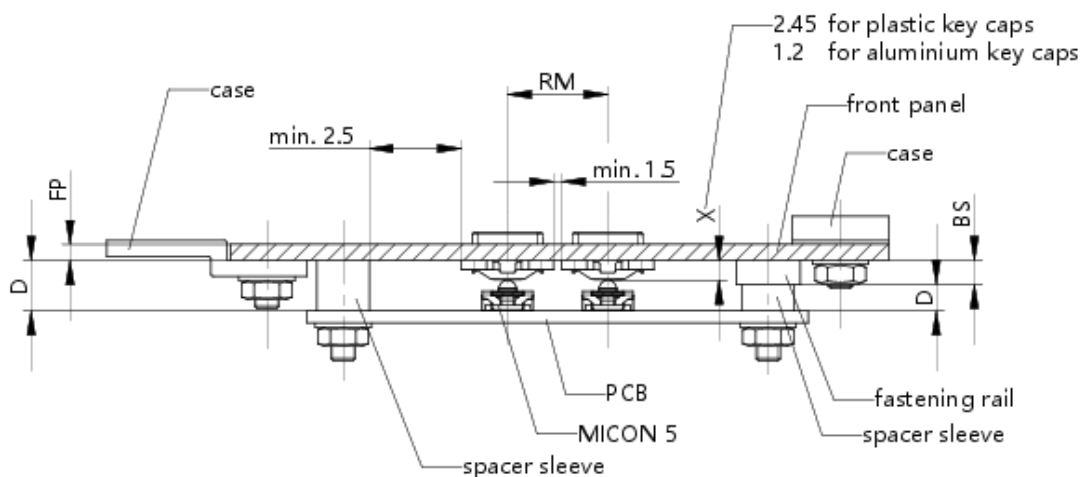
| | |
|---|--|
| Packaging unit | 102 pcs. |
| net weight | 0.1 g |
| Operating life | 1,000,000 cycles |
| B10 | 1,300,000 cycles |
| Degree of protection, front side, according to ISO 20653 | IP67 (IP6K7) |
| Degree of protection on rear side acc. to ISO 20653 | IP67 (IP6K7) |
| MSL Moisture Sensitivity Level | 1 |
| Shock resistance according to standard IEC 60068-2-27 | 100 g at 6 ms amplitude semi-sinusoidal |
| oscillation resistance according to standard IEC 60068-2-6 | 5 g at 10...500 Hz |
| MOQ order | 510 pcs. |
| RoHS compliant | Yes |
| REACH compliant | Yes |
| > mounting diameters | |
| Outside dimension, length | 6.4 ± 0.1 mm |
| Outside dimension, width | 5.1 ± 0.1 mm |
| Installation height | 3.85 ± 0.1 mm |
| Grid, min. | 6 x 7.8 mm |
| > mechanical data | |
| Actuation function | momentary contact function |
| Operating force, max. | 8 N |
| Operating force, min. | 5 ± 1.0 N |
| Switching travel | 0.9 ± 0.15 mm |
| Bounce time at 10 mm/s | <5 ms |
| Contact function | 1 NO |
| Contact system | Snap-action contact SPST - Single Pole Single Throw |
| Contact material | Gold |
| Solderability | Yes |
| Terminal on the rear | THT |
| > electrical data | |
| Rated voltage, min. | 0.02 V |
| Rated voltage, max. | 35 V |
| Dielectric strength | 250 V |
| Rated current, min. | 0.00001 A |
| Rated current, max. | 0.1 A |
| Rated power, max. | 1 W |

drawings

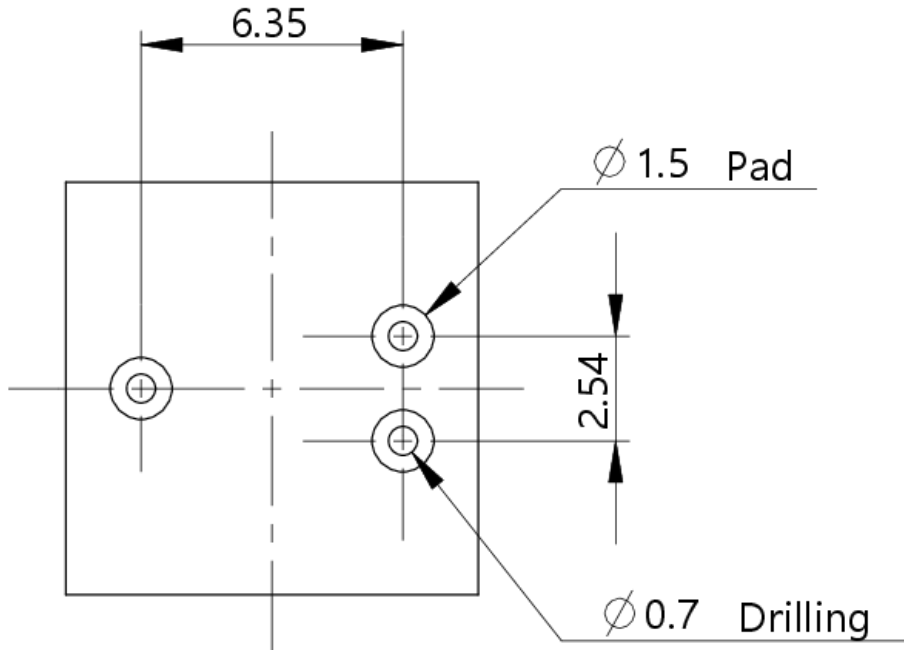
Dimensioned drawing



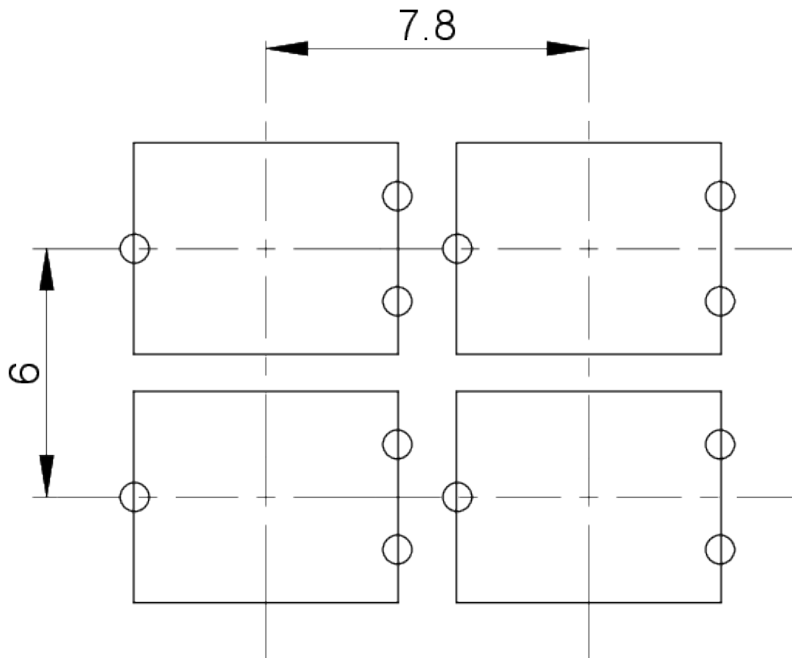
System drawing



PCB drawing

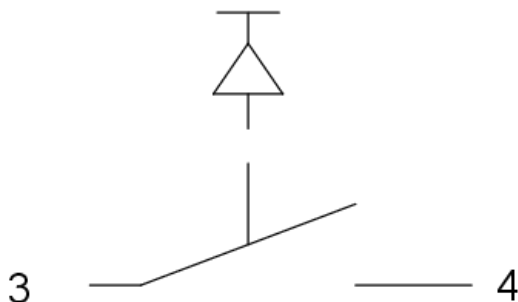
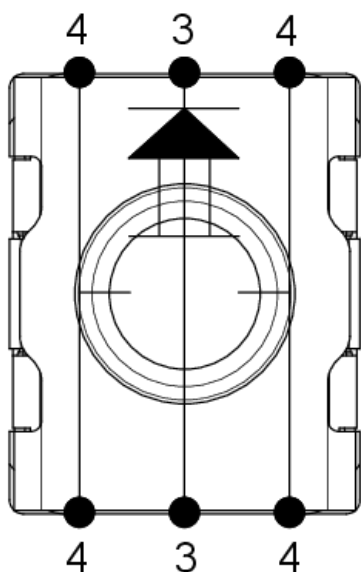


PCB drawing



MICON 5 THT

Schematic diagram



Circuit symbol according to IEC 617

Product labeling drawing

