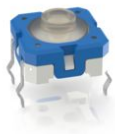


RACON 8, THT outside, 3.3 ± 0.6 N, 1 NO



fields of application

- › Measurement-control-regulation
- › Mechanical and system engineering
- › Automotive
- › Electro-medical

special features

- › Gold contacts, reliable switching with low currents
- › Special tactile feedback
- › Different operating forces
- › Variable overall heights due to plunger
- › Terminal technology: SMT or THT
- › Traceability through product identification



description

Our top-quality RACON 8 tactile switches – in dimensions 8.4 x 8.4 mm – feature an unmistakable click, high switching reliability, and a sealed contact system. That has made RACON the standard in many industries. Whether for automotive applications, systems with keycaps, or membrane keyboards, RACON impresses in the THT or SMT versions – for your application too.

RACON 8 tactile switches can be arranged individually, in rows or as key blocks. When used beneath membrane overlays, the RACON key switches should be combined with plungers. Suitable for the most important soldering techniques.

- › Soldering bath for THT versions
- › Reflow soldering for SMT versions
- › Vapor phase soldering for SMT versions
- › Manual soldering
- › Processing of the SMT designs with SMT automatic assembly machines
- › IMDS entry

technical data

› general

Color	blue
Operating temperature, min.	-40 °C
Operating temperature, max.	90 °C
Storage temperature, min.	-50 °C
Storage temperature, max.	85 °C
illuminated	No
Soldering time for manual soldering, max.	5 sec
Soldering temperature for manual soldering	350 °C

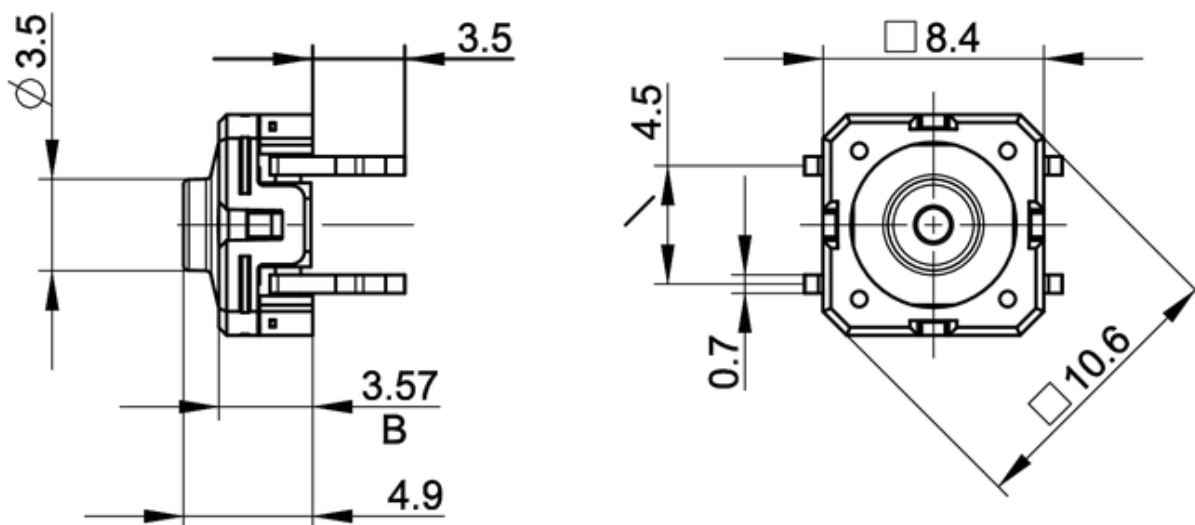
direct links

- › [RAFI eCatalog](#)

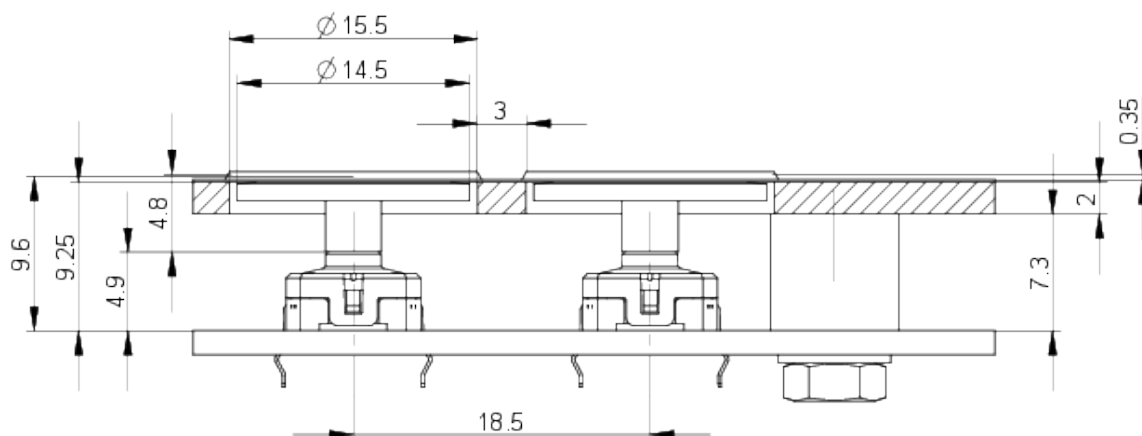
Soldering temperature for wave soldering	260 °C
Soldering	Manual / wave
Solder heat resistance according to standard	DIN EN 60068-2-20
Packaging	Tube
Packaging unit	60 pcs.
net weight	0.7 g
Operating life	1,000,000 cycles
B10	1,300,000 cycles
Degree of protection, front side, according to DIN EN 60529	IP54 IPx7
Degree of protection, rear side, according to DIN EN 60529	IP54 IPx7
MSL Moisture Sensitivity Level	1
Corrosive gas testing according to standard	Yes
MOQ order	600 pcs.
RoHS compliant	Yes
REACH compliant	Yes
Component material	Elastomer
Product code	A1
> mounting diameters	
Outside dimension, length	8.4 mm
Outside dimension, width	8.4 mm
Outside dimension, height	8.4 ± 0.1 mm
Installation height	4.9 ± 0.1 mm
Grid, min.	8.9 x 12.7 mm
> mechanical data	
Actuation function	momentary contact function
Operating force, max.	8 N
Operating force, min.	3.3 ± 0.6 N
Switching travel	0,34 ^{±0,1} mm
Contact function	1 NO
Contact system	Snap-action contact SPST - Single Pole Single Throw
Contact material	Gold
Solderability	Yes
Terminal on the rear	THT outward
> electrical data	
Rated voltage, min.	0.02 V
Rated voltage, max.	35 V
Rated current, min.	0.00001 A
Rated current, max.	0.1 A
Rated power, max.	1 W

drawings

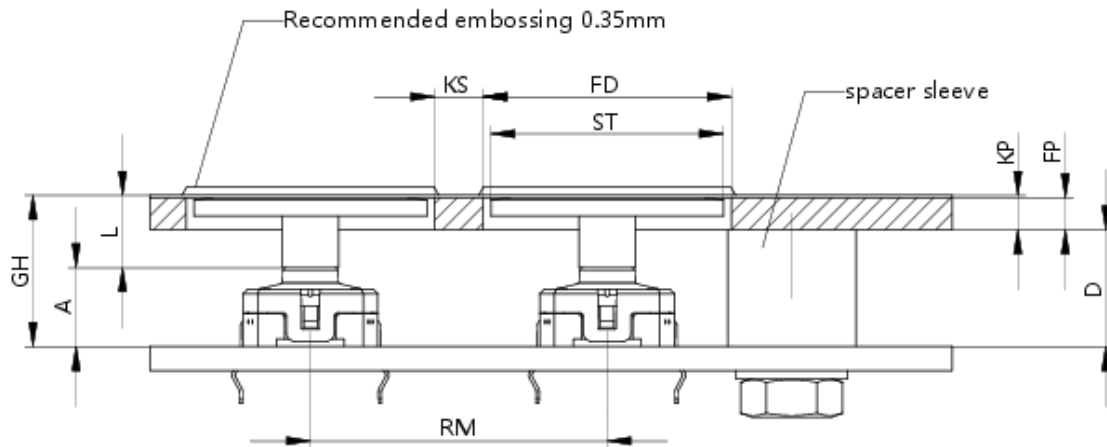
Dimensioned drawing



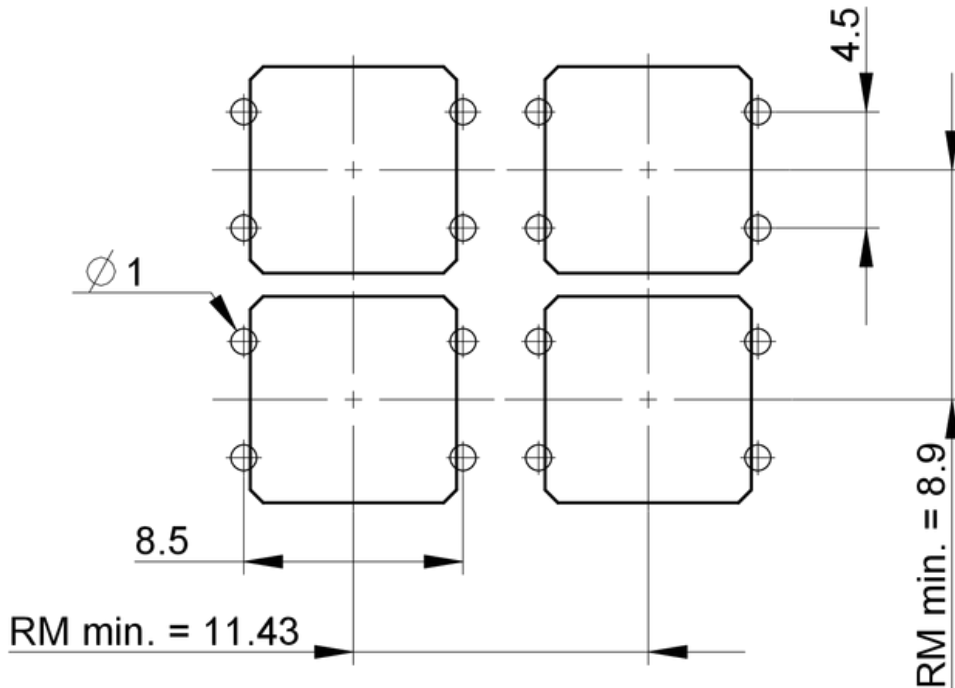
System drawing



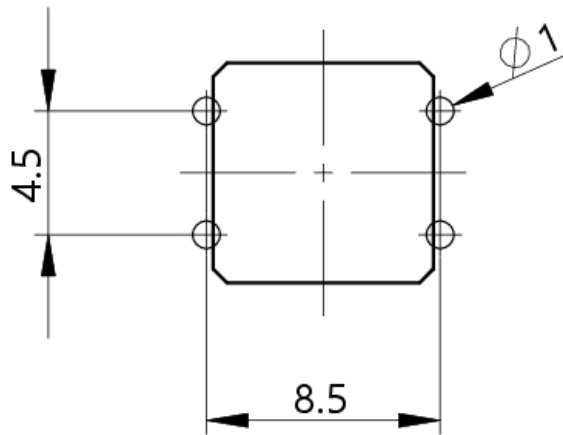
System drawing



PCB drawing

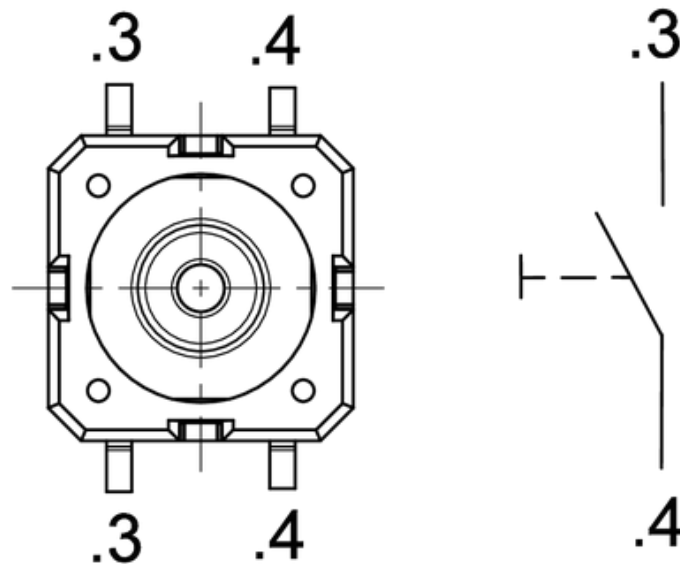


PCB drawing



PCB hole pattern
component side

Schematic diagram



Product labeling drawing

