

LUMOTAST 22 active/inactive emergency stop button, 2 NC, Silver, Flat quick-connect terminal 2.8 x 0.8 tin-plated, reset by rotating, Mushroom head transparent



fields of application

- › Measurement-control-regulation
- › Mechanical and system engineering
- › Vehicle construction

special features

- › Mounting hole diameter 22.3 mm
- › Night design: illumination of the arrows possible
- › Low mounting depth of 17.6 mm
- › Water jet protection class IP 65 on front
- › Switching elements with silver contacts
- › Contact configurations: 2 NC, 2 NC + 1 NO
- › Quick-connect terminal
- › Complies with DIN EN ISO 13850



description

The emergency stop pushbuttons comply with IEC 60 204, IEC 60 073, IEC 60 947 and VDE 0113 Part 1. They are protected against unauthorized actuation by a positively guided mechanical movement sequence in accordance with DIN EN ISO 13850. To protect against accidental actuation, a pressure point must be overcome and the pushbutton engages in the pressed position. Due to the shape of the actuating element, the emergency stop pushbutton is protected against blocking. This means that an initiated emergency stop procedure cannot be interrupted by jamming objects. See appendix for original operating instructions.

The compact LUMOTAST 22 emergency stop with quick-connect terminals is ideal wherever an emergency stop or emergency off is required and space is tight in front of or behind the front panel. This emergency stop is also available with a PCB terminal, see RAFIX 22 FS+ control component range.

technical data

› general

Color of mushroom	transparent
Property of bezel / mushroom	transparent
Collar color	yellow
Luminous element color	red
Collar shape	round
Operating temperature, min.	-25 °C
Operating temperature, max.	70 °C
Storage temperature, min.	-40 °C
Storage temperature, max.	80 °C
illuminated	Yes
Luminous elements	LED

direct links

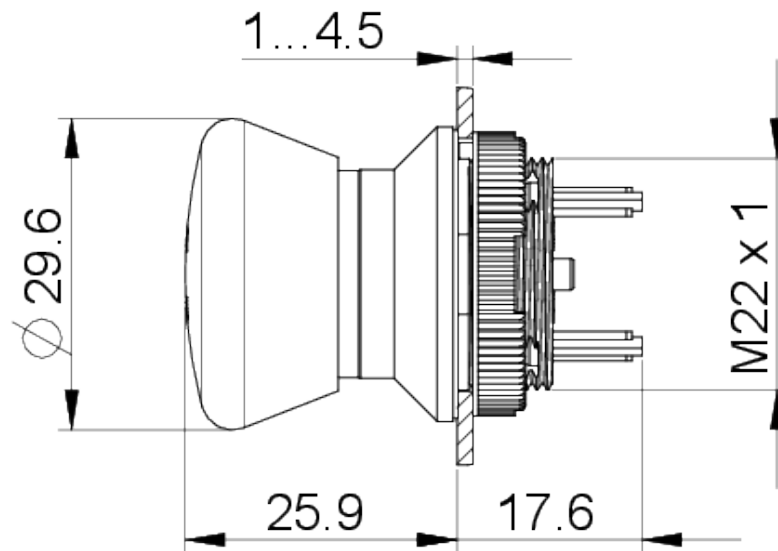
- › [RAFI eCatalog](#)

1.15.105.112/0000

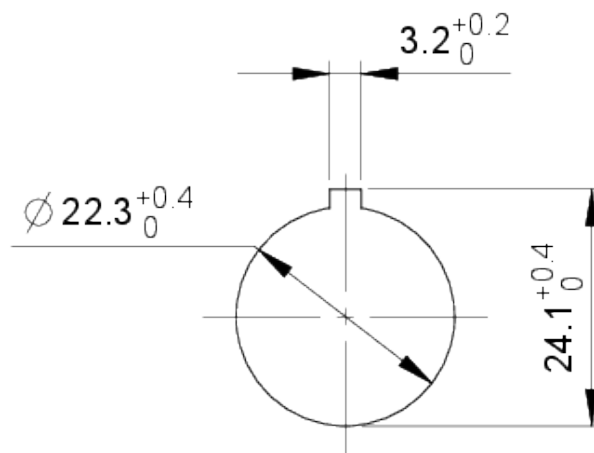
Soldering time for manual soldering, max.	5 sec
Soldering temperature for manual soldering	350 °C
Soldering	Manual soldering
Packaging	Box
Packaging unit	10 pcs.
net weight	17.7 g
Operating life	50,000 cycles
B10	65,000 cycles
B10d	130,000 cycles
Degree of protection, front side, according to DIN EN 60529	IP65
MOQ order	10 pcs.
RoHS compliant	Yes
REACH compliant	Yes
> mounting diameters	
Outside dimension, width	29.6 mm
Mounting hole	22.3 mm
Mounting depth	17.6 mm
Installation height	25.9 mm
> mechanical data	
Contact function	2 NC
Contact material	Silver
Resetting	by rotating
Fixing	Threaded ring
Solderability	Yes
Threaded ring torque, max.	1.2 Nm
Terminal on the rear	Flat quick-connect terminal 2.8 x 0.8 tin-plated
> electrical data	
Rated insulation voltage	250 V
Operating voltage of the luminous element, min.	12 V
Operating voltage of the luminous element, max.	30 V
Rated voltage, min.	0.02 V
Rated voltage, max. acc. to UL 60947	24 V DC / 3 A
Rated operating current I, AC15 B300	120 V / 3 A 240 V / 1,5 A
Rated operating current I, DC13 Q300	60 V / 1 A 125 V / 0,55 A 250 V / 0,275 A 24 V / 2 A
Operating current of the luminous element, max.	4 mA
Rated current, min.	0.001 A
Rated power, min.	0.5 W

drawings

Dimensioned drawing



Mounting hole drawing



Schematic diagram

