

LUMOTAST 25, illuminated pushbutton, flat bezel, click quick fastener, housing, momentary contact function, 1 NO

DISCONTINUED


fields of application

- › Measurement-control-regulation
- › Mechanical and system engineering
- › Signalling systems

special features

- › Mounting hole diameter 16.2 mm
- › Lamp socket: T1: full-surface illumination with LED is possible
- › RAFI Click fastening technology or conventional technology with threaded ring
- › Mounting depth behind the front panel only 30.7 mm with female quick connector
- › Gold contacts for safe switching
- › Reverse-polarity-secured terminal with 4-pole male quick connector and crimped ribbon cable
- › Alternative: terminal with plug-in socket in PCB
- › Water jet protection class IP 65 on front
- › 1 NO gold contact (max. 35 V/100 mA)



description

The LUMOTAST 25 is compact, with a surface area of 25 mm x 25 mm, yet it provides a large actuating surface.

With **RAFI** Click fastening technology, elements can be front-mounted within seconds. Conventional fastening technology with a threaded ring is also available. The terminal is reverse-polarity-secure using a male quick connector with ribbon cable. Alternatively, you can use a plug-in socket for the PCB terminal. The integrated T1 lamp socket allows full surface illumination with LED.

technical data

› general

Collar shape	square
Operating temperature, min.	-25 °C
Operating temperature, max.	55 °C
Storage temperature, min.	-40 °C
Storage temperature, max.	80 °C
illuminated	Yes
Lamp socket	Bi-pin
Packaging	Box

direct links

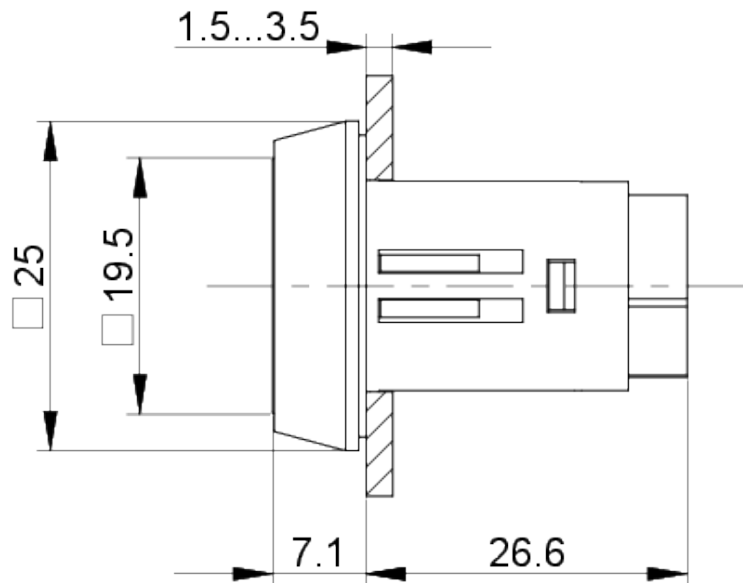
- › [RAFI eCatalog](#)

1.15.150.506/0000

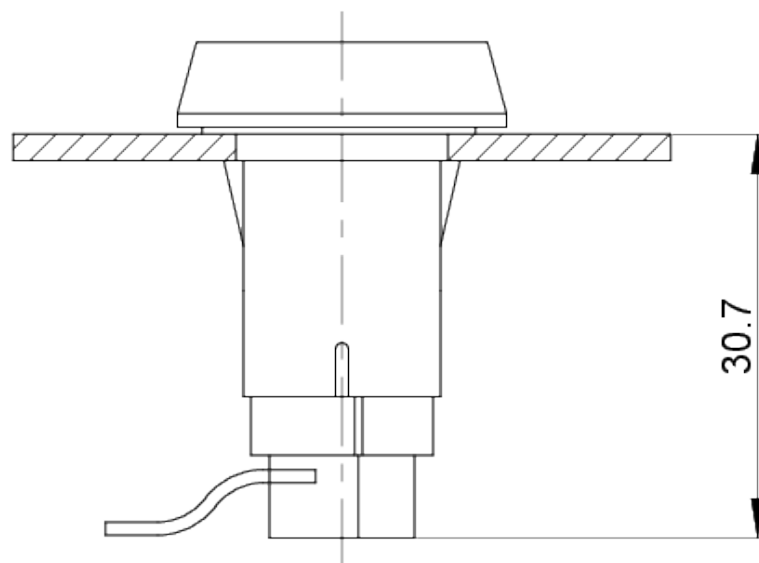
Packaging unit	10 pcs.
Operating life	1,000,000 cycles
Degree of protection, front side, according to DIN EN 60529	IP65
MOQ order	10 pcs.
RoHS compliant	Yes
REACH compliant	Yes
> mounting diameters	
Outside dimension, length	25 mm
Outside dimension, width	25 mm
Mounting hole	16.2 mm
Mounting depth	30.7 mm
Installation height	7.1 mm
> mechanical data	
Actuation function	momentary contact function
Operating force, max.	6 N
Operating travel, max.	3 mm
Contact function	1 NO
Contact system	Snap-action contact
Contact material	Gold
Fixing	Click quick fastener
Terminal on the rear	Male quick connector / plug-in socket
> electrical data	
Rated voltage, min.	0.02 V
Rated voltage, max.	35 V
Rated current, min.	0.0001 A
Rated current, max.	0.1 A

drawings

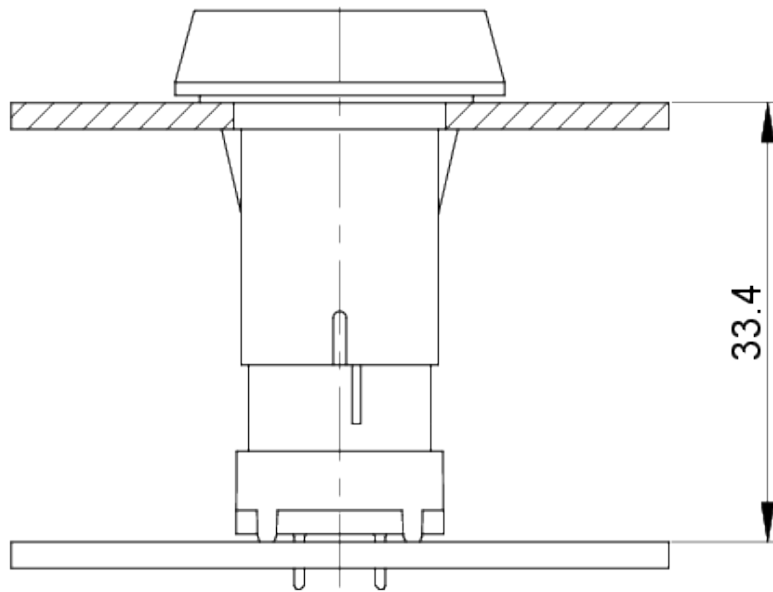
Dimensioned drawing



System drawing



System drawing



Mounting hole drawing

