

# LUMOTAST 25, mushroom pushbutton, threaded ring, latching, 2 NC, Mushroom head red



## fields of application

- > Measurement-control-regulation
- > Mechanical and system engineering
- > Signalling systems



## description

### technical data

#### > general

Color of mushroom	red
Property of bezel / mushroom	opaque
Collar color	black
Collar shape	square
Operating temperature, min.	-25 °C
Operating temperature, max.	70 °C
Storage temperature, min.	-40 °C
Storage temperature, max.	80 °C
illuminated	No
Packaging	Box
Packaging unit	2 pcs.
net weight	9.5 g
Operating life	15,000 cycles
B10	19,500 cycles
B10d	39,000 cycles
Degree of protection, front side, according to DIN EN 60529	IP65
MOQ order	10 pcs.
RoHS compliant	Yes
REACH compliant	Yes

#### > mounting diameters

Outside dimension, length	25 mm
Outside dimension, width	25 mm
Mounting hole	16.2 mm
Mounting depth	30.7 mm
Installation height	18.5 mm

#### > mechanical data

Actuation function	latching
--------------------	----------

#### direct links

- > [RAFI eCatalog](#)

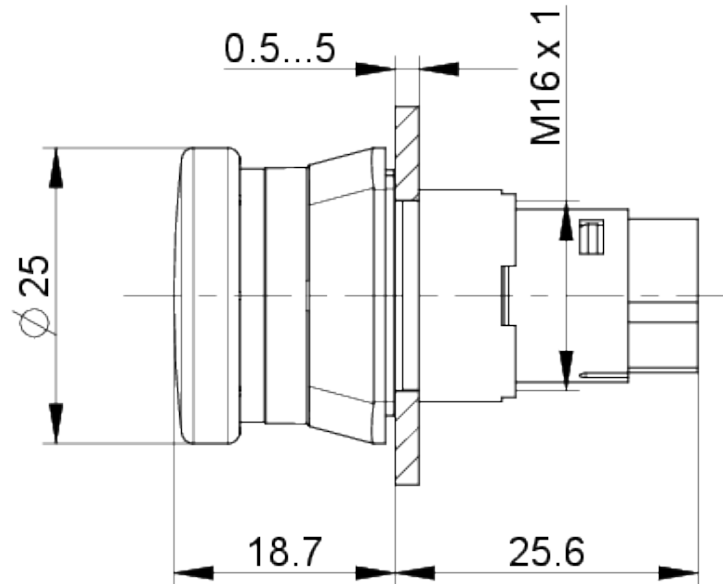
Operating force, max.	1 N
Operating travel, max.	2.6 mm
Contact function	2 NC
Contact system	Snap-action contact
Contact material	Gold
Fixing	Threaded ring
Threaded ring torque, max.	0.8 Nm
Terminal on the rear	Male quick connector / plug-in socket
PIN 1	Normally closed contact 1
PIN 2	Normally closed contact 2
PIN 3	Normally closed contact 1
PIN 4	Normally closed contact 2

**> electrical data**

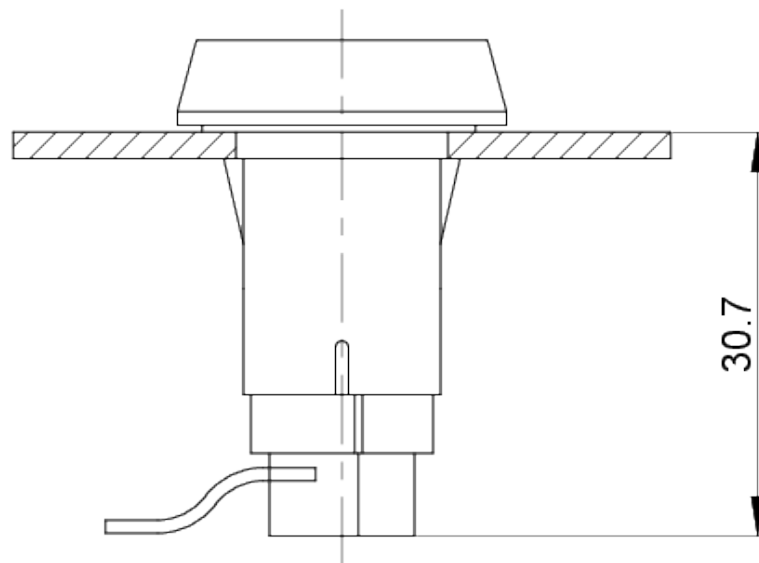
Rated voltage, min.	0.02 V
Rated voltage, max.	25 V
Rated current, min.	0.0001 A
Rated current, max.	0.1 A

**drawings**

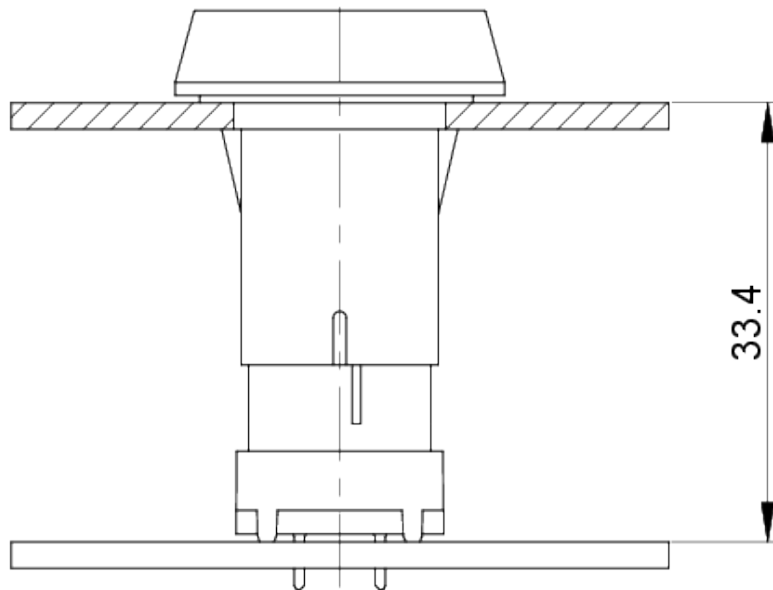
**Dimensioned drawing**



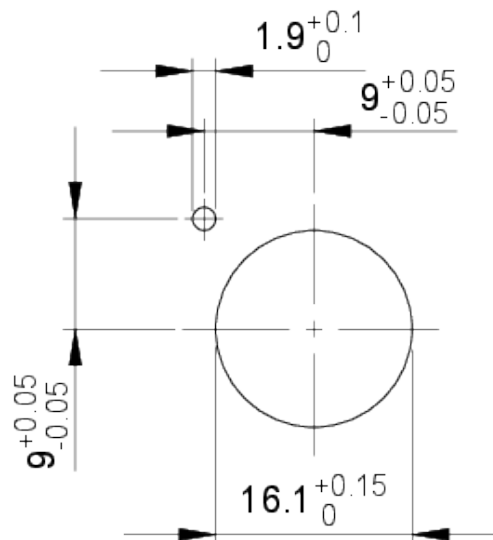
**System drawing**



**System drawing**



**Mounting hole drawing**



**Schematic diagram**

