

## LUMOTAST 16, pushbutton, round collar, momentary contact function, frontring black, 1 NO, bezel green



### fields of application

- › Measurement-control-regulation
- › Electrical engineering
- › Mechanical and system engineering
- › Signalling systems
- › Handheld terminals
- › Industrial robots
- › Model construction

### special features

- › Option: C-LAB variant with replaceable legend inserts
- › Round mounting hole, diameter 16.2 mm
- › Mounting depth: 18 mm
- › Terminal: male quick-connect terminal 2.8 x 0.5 mm
- › Gold or silver contacts
- › Contacts: Standard: 1NO
- › max 35 V / 100 mA
- › Water jet protection class IP 65 and IP 67 on front



### description

Through the use of RAFI tactile switches, the LUMOTAST 16 pushbuttons offer crisp, tactile feedback – with a distinct key click. They offer an impressively wide range of possible industrial uses and applications.

### technical data

#### › general

|   |                |
|---|----------------|
| Bezel color   | green          |
| Property of bezel / mushroom                                | translucent    |
| Collar color  | black          |
| Front ring color  | black          |
| Collar shape  | round          |
| Operating temperature, min.                                 | -25 °C         |
| Operating temperature, max.                                 | 70 °C          |
| Storage temperature, min.                                   | -40 °C         |
| Storage temperature, max.                                   | 80 °C          |
| illuminated   | No             |
| Packaging   | Box            |
| Packaging unit  | 10 pcs.        |
| net weight  | 3.9 g          |
| Operating life  | 500,000 cycles |
| B10   | 600,000 cycles |
| Degree of protection, front side, according to DIN EN 60529 | IP65<br>IP67   |
| UL Enclosure Type Rating front side                         | type 1         |

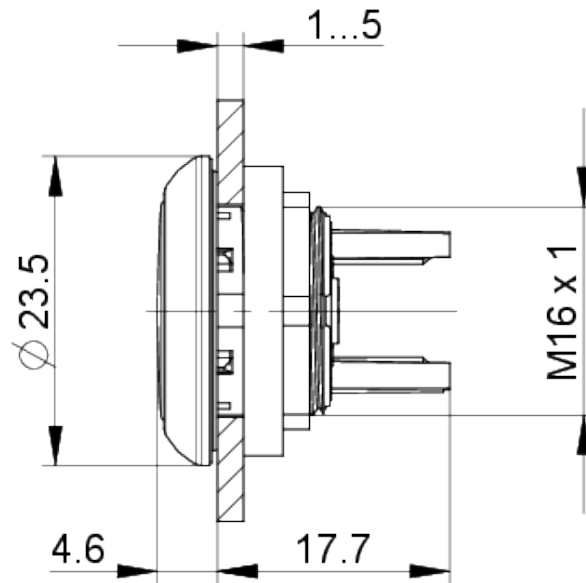
#### direct links

- › [RAFI eCatalog](#)

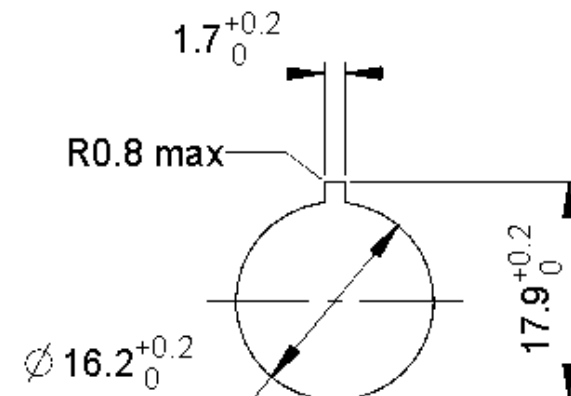
|  |                                       |
|--|---------------------------------------|
| Vibration resistance according to standard IEC 60068-2-6   | 5 g at 10 - 500 Hz                    |
| oscillation resistance according to standard IEC 60068-2-6 | 5 g at 10...500 Hz                    |
| MOQ order  | 10 pcs.                               |
| RoHS compliant   | Yes                                   |
| REACH compliant  | Yes                                   |
| <b>&gt; mounting diameters</b>                             |                                       |
| Outside dimension, length                                  | 23.5 mm                               |
| Outside dimension, width                                   | 23.5 mm                               |
| Outside dimension, height                                  | 22.3 mm                               |
| Mounting hole  | 16.2 mm                               |
| Mounting depth   | 18 mm                                 |
| Installation height  | 4.6 mm                                |
| Collar dimension   | 23.5 mm                               |
| <b>&gt; mechanical data</b>                                |                                       |
| Actuation function   | momentary contact function            |
| Contact function   | 1 NO                                  |
| Contact system   | Snap-action contact                   |
| Contact material   | Gold                                  |
| Fixing   | Threaded ring                         |
| Solderability  | No                                    |
| Threaded ring torque, max.                                 | 0.8 Nm                                |
| Terminal on the rear                                       | Flat quick-connect terminal 2.8 x 0.5 |
| <b>&gt; electrical data</b>                                |                                       |
| Rated insulation voltage                                   | 42 V                                  |
| Rated voltage, min.  | 0.02 V                                |
| Rated voltage, max.  | 35 V                                  |
| Rated voltage, max. acc. to UL 60947                       | 30 V AC (42,2 V peak)                 |
| Voltage type   | DC                                    |
| Rated operating voltage                                    | 0.02-35 V                             |
| Rated current, min.  | 0.0001 A                              |
| Rated current, max.  | 0.1 A                                 |
| Rated power, max.  | 1 W                                   |

**drawings**

**Dimensioned drawing**



**Mounting hole drawing**



**Schematic diagram**

