

RAFIX FS switching element universal PCB, silver, for SMT LED, 2 NO, with light guide



fields of application

- > Measurement-control-regulation
- > Electrical engineering
- > Mechanical and system engineering
- > Signalling systems
- > Vehicle construction
- > Agricultural and forestry machinery
- > Construction machinery
- > Handheld terminals
- > Industrial robots



description

These switching elements have external plungers and therefore can only be combined with pushbuttons, selector switches and keylock switches.

The PCB switching elements are positioned on a PCB shared with other components. These can subsequently be mounted behind the front panel together with the actuators and signal indicators. The switching elements "float" directly underneath the actuators on the PCB behind the front panel and leave plenty of space for other components.

In the center channel of the switching element, there are either light conductors for the use of SMT-LEDs, or 3 mm THT LEDs can be installed for illumination.

PCB mounting depths

- 9.2 mm for RAFIX 22 FS+ and RAFIX 22 FSR
- 15.7 mm for RAFIX 30 FS+:

PCB contact block for RAFIX 22 FS+, RAFIX FSR and RAFIX 30 FS

Only suitable for pushbuttons, selector and key switches, not for mushroom pushbutton and emergency stop

Silver contacts (= black housing)

Mounting: Soldering on printed circuit board

Version with light guide for SMT LED, without light guide for THT LED

marking:

- normally closed contacts = red plungers
- normally open contacts = green plungers
- N/C and N/O contacts = yellow plungers

technical data

> general

Feature	with light guide
Disassembly possible	no
Color	black
Operating temperature, min.	-40 °C
Operating temperature, max.	85 °C
Storage temperature, min.	-40 °C
Storage temperature, max.	85 °C
illuminated	Yes
Luminous elements	LED
Lamp socket	SMT LED
Soldering	Manual / wave
Solder heat resistance according to standard	DIN EN 60068-2-20
Packaging unit	30 pcs.
net weight	2.2 g
Operating life electrical	1,000,000 (1A / 250V AC) cycles 100,000 (2A / 250V AC) cycles 30,000 (4A / 250V AC) cycles
B10 electrical	1.300.000 (1A / 250V AC) cycles 130.000 (2A / 250V AC) cycles 40.000 (4A / 250V AC) cycles
Environment resistance	IEC 60068-2-14 IEC 60068-2-30 IEC 60068-2-33 IEC 60068-2-78
Shock resistance according to standard IEC 60068-2-27	50 g at 11 ms amplitude semi-sinusoidal
Vibration-resistance according to standard IEC 60068-2-6	5 g at 10 - 500 Hz
MOQ order	30 pcs.
RoHS compliant	Yes
REACH compliant	Yes

direct links

> [RAFI eCatalog](#)

> mounting diameters

Outside dimension, length	17.3 mm
Outside dimension, width	17.3 mm
Outside dimension, height	16.9 mm
Mounting depth	9.2 mm

> mechanical data

Contact function	2 NO
Contact system	Bridge contact
Contact material	Silver
Fixing	Soldering
Solderability	Yes
Terminal on the rear	THT

> electrical data

The information in this data sheet only contains general descriptions and / or performance features, which may not apply precisely as described to the respective application, and which may change due to further product enhancements. The technical data, illustrations and other information about our products are the mere results of individual technical testing. These descriptions and other product features are only binding if they expressly agreed upon at the time of the conclusion of a binding contract. In all other cases, we reserve the right to make technical changes as well as changes of availability. Pictures and other graphic illustrations are approximations only. All product names may be trademarks or brand names of the RAFI Group or any other sub-supplier of RAFI. The use of such by any third parties for their own purposes may infringe the rights of the respective entity holding those rights.

date: May 16, 2024 page: 2/5

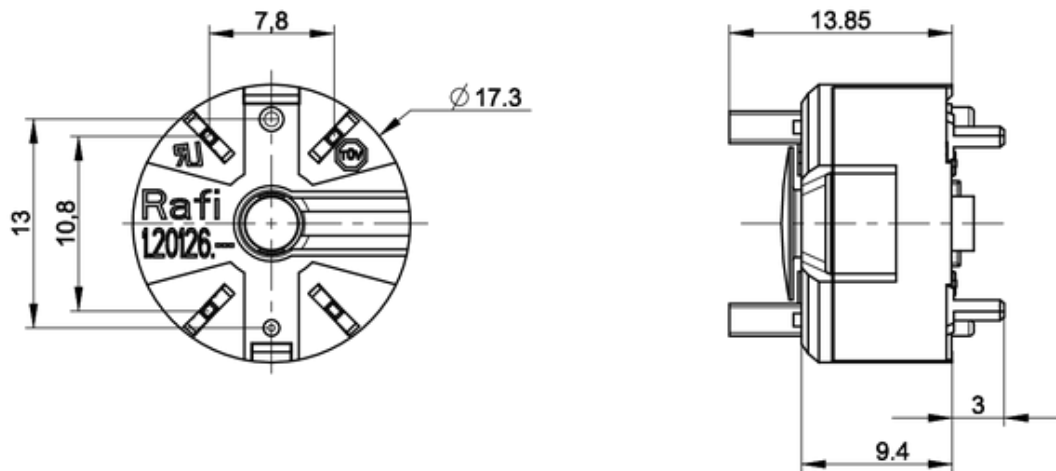
RAFI GmbH & Co. KG

Ravensburger Str. 128-134
88276 Berg / Ravensburg
Germany
www.rafi-group.com,
info.headquarters@rafi-group.com

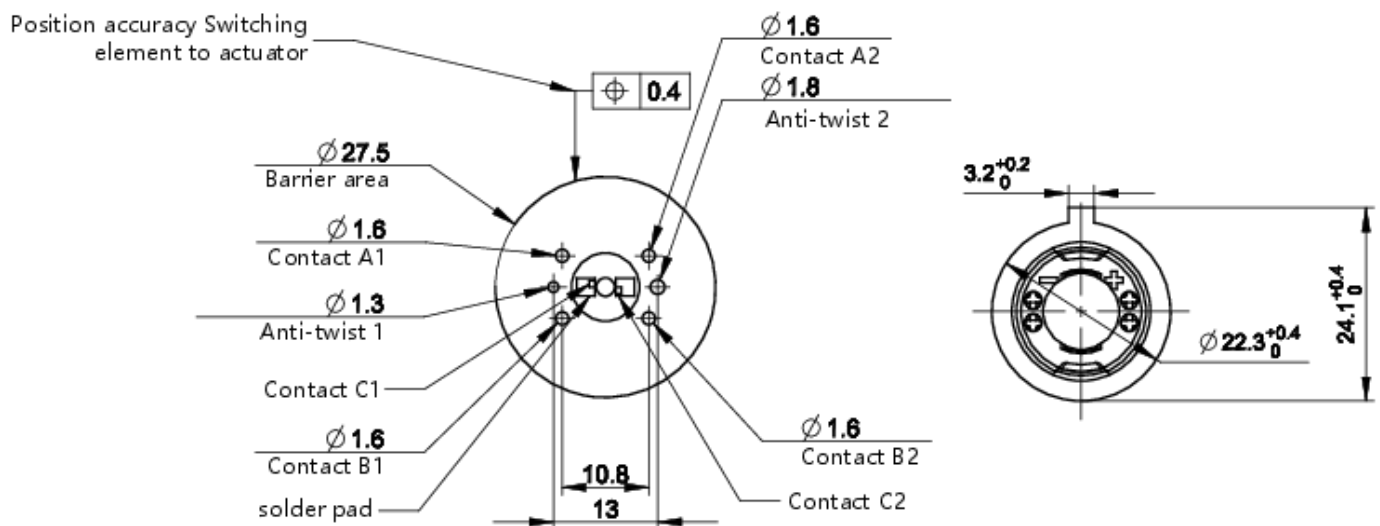
Rated insulation voltage	250 V
Rated surge voltage	2,500 V
Rated voltage, min.	10 V
Rated voltage, max.	250 V
Operating current, min.	1 mA
Rated current, min.	0.01 A
Rated current, max.	4 A
Rated power, min.	0.5 W
Category of use AC-15 / B300	120 V / 3 A (IEC 60947) 240 V / 1,5 A (IEC 60947)
Categories of use	AC-15 / B300 DC-13 / Q300
Category of use DC-13 / Q300	120 V / 0,55 A (IEC 60947) 240 V / 0,27 A (IEC 60947)
Conditional short circuit current	1,000 A

drawings

Dimensioned drawing



System drawing



System drawing

Variant	1S / 1NO	1Ö / 1NC	2S / 2NO	2Ö / 2NC	1S + 1Ö / 1NO + 1NC
Contact A1/A2 Connection designation	1S / 1NO 13 - 14	-	1S / 1NO 13 - 14	1Ö / 1NC 11-12	1S / 1NO 13 - 14
Contact B1/B2 Connection designation	-	1Ö / 1NC 21-22	1S / 1NO 23-24	1Ö / 1NC 21-22	1Ö / 1NC 21-22
Contact C1/C2* Connection designation	LED*	LED*	LED*	LED*	LED*

*LED assignment when actuator is illuminated

