

RAFIX 16, buzzer, square collar, alignable in rows, 70 dB



fields of application

- › Measurement-control-regulation
- › Electrical engineering
- › Mechanical and system engineering
- › Industrial robots

special features

- › Acoustic signal transmitter in three fret forms
- › 70 dB continuous tone
- › Degree of protection: IP 65 at the front
- › Mounting diameter 16.2 mm
- › Flat plug connection 2.8 x 0.8 mm



description

Acoustic signal generator, available in three collar shapes to match the design of the RAFIX 16 actuators.

technical data

› general

Bezel color	black
Property of bezel / mushroom	opaque
Collar shape	square alignable in rows
Frequency	2,400 - 3100 Hz
Operating temperature, min.	-25 °C
Operating temperature, max.	70 °C
Storage temperature, min.	-40 °C
Storage temperature, max.	85 °C
Volume 1 m	70 dB
illuminated	No
Tone type	Continuous tone
Packaging	Box
Packaging unit	2 pcs.
net weight	8.5 g
Degree of protection, front side, according to DIN EN 60529	IP65
Environment resistance	IEC 60068-2-14 IEC 60068-2-30 IEC 60068-2-33 IEC 60068-2-78
MOQ order	10 pcs.
RoHS compliant	Yes
REACH compliant	Yes

direct links

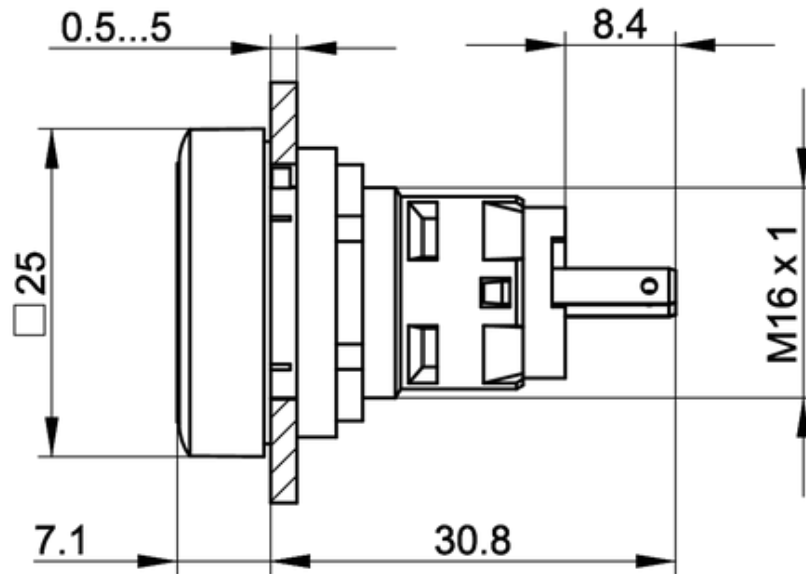
- › [RAFI eCatalog](#)

› mounting diameters

Outside dimension, length	24.95 mm
Outside dimension, width	24.95 mm
Outside dimension, height	37.45 mm
Mounting hole	16.2 mm
Mounting depth	30.5 mm
Installation height	6.95 mm
Grid, min.	25 x 25 mm
Collar dimension	24,95 x 24,95 mm
> mechanical data	
Fixing	Threaded ring
Threaded ring torque, max.	1.2 Nm
Terminal on the rear	Flat quick-connect terminal 2.8 x 0.8
> electrical data	
Voltage type	DC
Rated operating voltage	24 V
Power loss	0.6 W

drawings

Dimensioned drawing



Mounting hole drawing

