

## RAFIX 16 F, pushbutton, flat bezel, round collar, frontring black, bezel black



### fields of application

- › Measurement-control-regulation
- › Electrical engineering
- › Mechanical and system engineering
- › Vehicle construction

### special features

- › Opaque panels, not illuminable
- › Flat design
- › Robust - also suitable for operation with gloves
- › Degree of protection: IP 65 at the front
- › Separate switching elements required
- › Close mounting of actuators possible due to axial wiring from behind
- › Switching elements with silver contacts (max. 250 V / 6 A) or gold contacts (max. 35 V / 0.25 A)
- › Connection types: screw connection, plug-in connection, PCB plug-in socket



### description

RAFIX command devices are modular units consisting of several parts. In the RAFIX 16 F product family, these always consist of an actuating element and a switching element, or an indicator lamp and a lamp socket. Actuating elements (such as pushbuttons or emergency stop actuators) have the specified tactility, reset and function only when assembled with the appropriate switching elements. For illuminated actuators, please use switching elements with lamp socket.

For RAFIX 16F actuators, you can choose between two collar shapes: round and square. Both are characterized by an extremely flat design. The round collar shape has an anti-rotation lug that can be easily removed with a screwdriver if necessary. The square actuators can be placed collar to collar to create a closed keypad.

### technical data

#### › general

Bezel color	black
Property of bezel / mushroom	opaque
Front ring color	black
Collar shape	round
Operating temperature, min.	-25 °C
Operating temperature, max.	70 °C
Storage temperature, min.	-40 °C
Storage temperature, max.	85 °C
illuminated	No

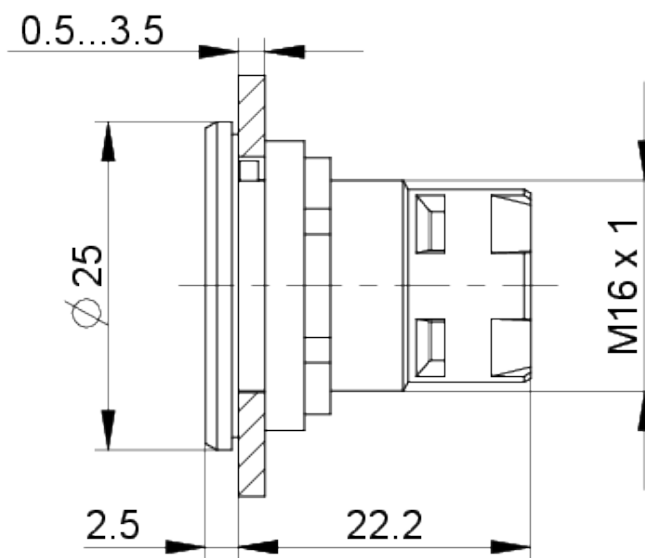
#### direct links

- › [RAFI eCatalog](#)

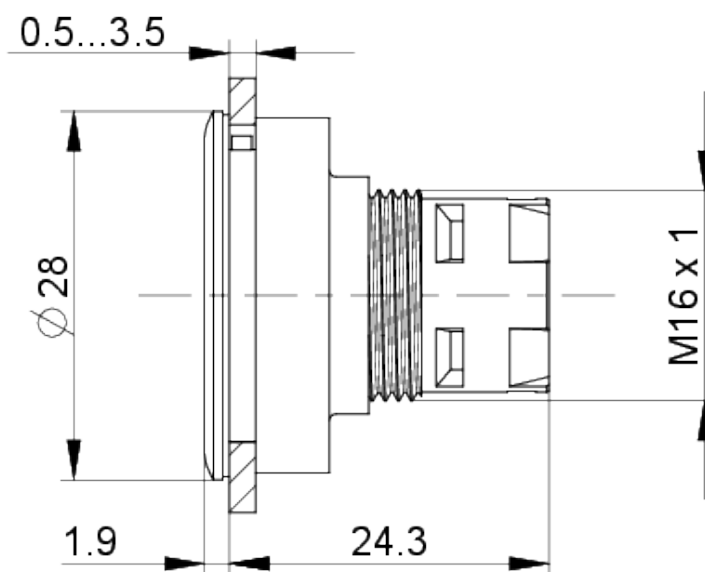
Packaging	Box
Packaging unit	10 pcs.
net weight	7.9 g
Operating life	2,000,000 cycles
B10	2,600,000 cycles
Degree of protection, front side, according to DIN EN 60529	IP65
Environment resistance	IEC 60068-2-14 IEC 60068-2-30 IEC 60068-2-33 IEC 60068-2-78
Protection class	II
MOQ order	100 pcs.
RoHS compliant	Yes
REACH compliant	Yes
<b>&gt; mounting diameters</b>	
Outside dimension, length	28 mm
Outside dimension, width	28 mm
Outside dimension, height	26.2 mm
Mounting hole	22.3 mm
Mounting depth	50 mm
Installation height	1.9 mm
Grid, min.	30 x 30 mm
Collar dimension	ø 28 mm
<b>&gt; mechanical data</b>	
Operating force, max.	100 N
Fixing	Threaded ring
Threaded ring torque, max.	1.2 Nm

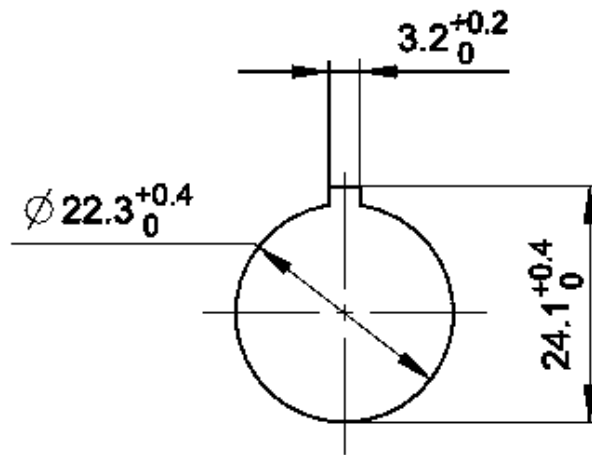
**drawings**

**Dimensioned drawing**



**Dimensioned drawing**



**Mounting hole drawing**

acc. to IEC 60947-5-1