

RAFIX 16 F, illuminated selector switch, round collar, 1 x 90°, shape L, latching, illuminable

DISCONTINUED


fields of application

- › Measurement-control-regulation
- › Electrical engineering
- › Mechanical and system engineering
- › Vehicle construction

special features

- › Wahlschalter in diversen Drehwinkel-Varianten
- › Drehgriffmarkierung beleuchtbar
- › Robust – auch für die Bedienung mit Handschuhen geeignet
- › Enge Anreihung der Betätiger möglich, da Verdrahtungsaufwand axial von hinten
- › Schutzgrad: IP 65 frontseitig
- › Separate Schaltelemente UNIVERSAL erforderlich
- › Schaltelemente mit Silberkontakten (max. 250 V / 6 A) oder Goldkontakten (max. 35 V / 0,25 A)
- › Anschlussarten: Schraubanschluss, Steckanschluss, Leiterplatten-Stecksockel
- › Die Schaltelemente werden aufgerastet und können durch Drehung wieder demontiert werden.



description

RAFIX command devices are modular units consisting of several parts. In the RAFIX 16 F product family, these always consist of an actuating element and a switching element, or an indicator lamp and a lamp socket. Actuating elements (such as pushbuttons or emergency stop actuators) have the specified tactility, reset and function only when assembled with the appropriate switching elements. For illuminated actuators, please use switching elements with lamp socket.

For RAFIX 16F actuators, you can choose between two collar shapes: round and square. Both are characterized by an extremely flat design. The round collar shape has an anti-rotation lug that can be easily removed with a screwdriver if necessary. The square actuators can be placed collar to collar to create a closed keypad.

technical data

› general

| | |
|------------------------------|-------------|
| Property of bezel / mushroom | transparent |
| Collar color | black |
| Collar shape | round |
| Operating temperature, min. | -25 °C |

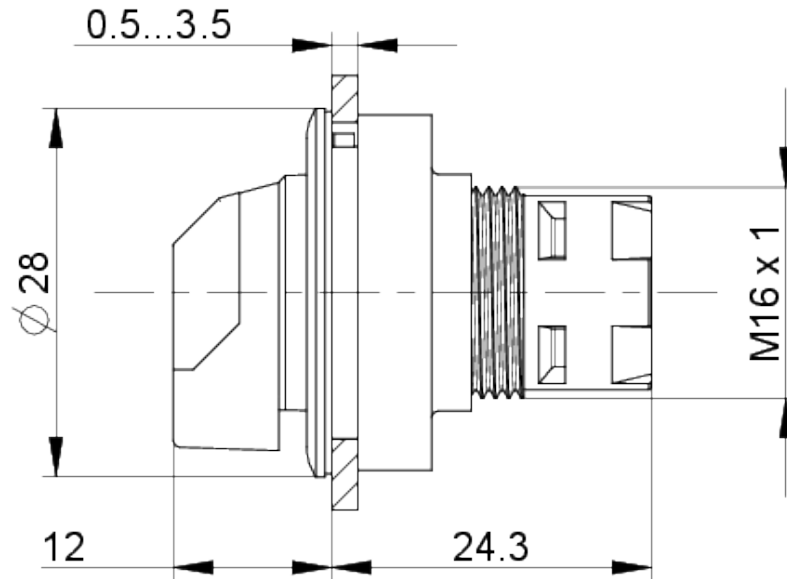
direct links

- › [RAFI eCatalog](#)

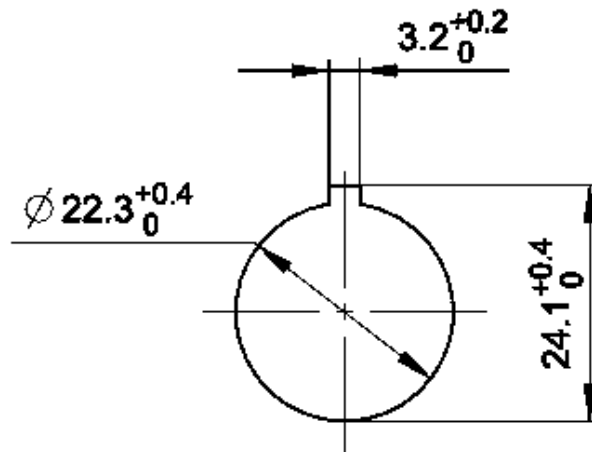
| | |
|--|--|
| Operating temperature, max. | 70 °C |
| Storage temperature, min. | -40 °C |
| Storage temperature, max. | 85 °C |
| illuminated | Yes |
| Packaging | Box |
| Packaging unit | 2 pcs. |
| net weight | 10.2 g |
| Operating life | 30,000 cycles |
| B10 | 40,000 cycles |
| Degree of protection, front side, according to DIN EN 60529 | IP65 |
| Environment resistance | IEC 60068-2-14 IEC 60068-2-30 IEC 60068-2-33 IEC 60068-2-78 |
| MOQ order | 10 pcs. |
| RoHS compliant | Yes |
| REACH compliant | Yes |
| > mounting diameters | |
| Outside dimension, length | 28 mm |
| Outside dimension, width | 28 mm |
| Outside dimension, height | 36.4 mm |
| Mounting hole | 22.3 mm |
| Mounting depth | 50 mm |
| Installation height | 12.1 mm |
| Grid, min. | 30 x 30 mm |
| Collar dimension | ø 28 mm |
| > mechanical data | |
| Actuation function | latching |
| Operating torque, max. | 1.3 Nm |
| Rotating angle | 1 x 90°, shape L |
| Fixing | Threaded ring |
| Threaded ring torque, max. | 1.2 Nm |

drawings

Dimensioned drawing



Mounting hole drawing



acc. to IEC 60947-5-1