

# RAFIX 22 FS<sup>+</sup>, keylock switch, square collar, frontring green, 1 x 90°, 1 x 40°, momentary contact function / latching, key removal position 0

LBL\_NRFND



## fields of application

- > Measurement-control-regulation
- > Electrical engineering
- > Mechanical and system engineering
- > Vehicle construction
- > Handheld terminals
- > Industrial robots

## special features

- > Key switch standard
- > Low installation depth 9.2 mm (PCB) or 27 mm (QC)
- > Connection types: printed circuit board connection (PCB) or plug-in connection (QC)
- > PCB switching elements minimize mounting errors
- > Switching elements with silver contacts (max. 250 V/4 A) or gold contacts (max. 35 V/100 mA)
- > Design adaptation through different front ring variations
- > Degree of protection: IP 65 at the front
- > Two collar shapes: round and square



## description

RAFIX control devices are defined at RAFI as modular elements, consisting of an actuating element, if necessary a coupling and an individual contact or lighting unit.

Actuating elements (such as pushbuttons, emergency stop actuators, etc.) have the intended tactility, reset and function only when assembled with the appropriate switching elements.

The locking systems we use have been created by reputable lock manufacturers in accordance with the DIN EN 1303 standard. They are open, mechanical systems that require occasional maintenance by the operator depending on the ambient conditions.

Further locking positions or functions are available on request.

## technical data

### > general

|                             |        |
|-----------------------------|--------|
| Disassembly possible        | no     |
| Scope of delivery           | 2 keys |
| Front ring color            | green  |
| Collar shape                | square |
| Operating temperature, min. | -25 °C |

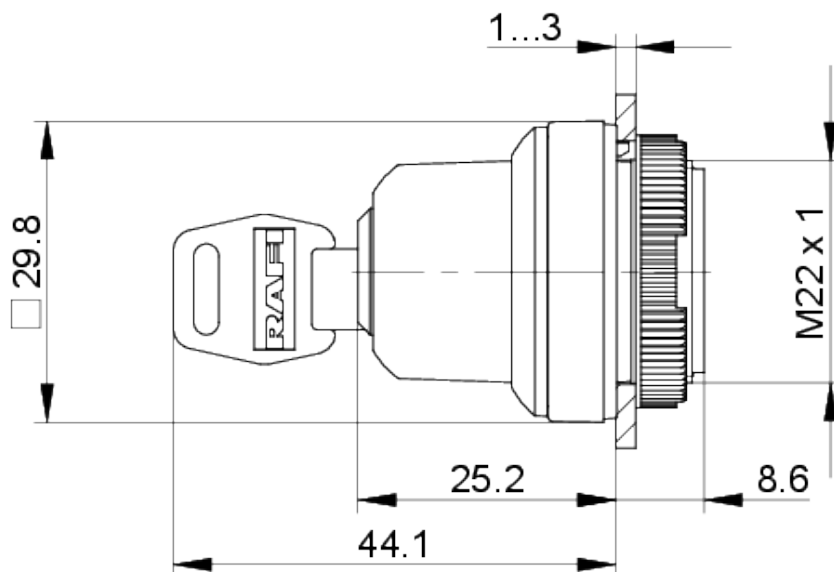
### direct links

- > RAFI eCatalog

|  |  |
|--|--|
| Operating temperature, max.                                    | 70 °C  |
| Storage temperature, min.                                      | -40 °C   |
| Storage temperature, max.                                      | 80 °C  |
| illuminated  | No   |
| Packaging  | Box  |
| Operating life   | 50,000 cycles  |
| B10  | 65,000 cycles  |
| Degree of protection, front side,<br>according to DIN EN 60529 | IP65   |
| UL Enclosure Type Rating front<br>side                         | type 1<br>type 4X indoor   |
| Environment resistance   | IEC 60068-2-14<br>IEC 60068-2-30<br>IEC 60068-2-33<br>IEC 60068-2-78 |
| Salt-spray resistance according to<br>standard                 | IEC 60068-2-11   |
| RoHS compliant   | Yes  |
| REACH compliant  | Yes  |
| <b>&gt; mounting diameters</b>                                 |  |
| Outside dimension, length                                      | 29.8 mm  |
| Outside dimension, width                                       | 29.8 mm  |
| Mounting hole  | 22.3 mm  |
| Mounting depth   | 9.2 mm   |
| Installation height  | 25.2 mm  |
| Grid, min.   | 30 x 30 mm   |
| Collar dimension   | 29,8 x 29,8 mm   |
| <b>&gt; mechanical data</b>                                    |  |
| Actuation function   | momentary contact function / latching                                |
| Operating torque, max.   | 1.3 Nm   |
| Locking position   | 1  |
| Key removal position   | 0  |
| Rotating angle   | 1 x 90°, 1 x 40°   |
| Fixing   | Threaded ring  |
| Threaded ring torque, max.                                     | 1.2 Nm   |

**drawings**

**Dimensioned drawing**



**System drawing**



**System drawing**



**Mounting hole drawing**



acc. to IEC 60947-5-1

front panel drawing

