

RAFIX 22 FS⁺, pushbutton with protective cap, round collar, momentary contact function, frontring black, bezel slate gray



fields of application

- › Measurement-control-regulation
- › Electrical engineering
- › Mechanical and system engineering
- › Vehicle construction
- › Handheld terminals
- › Industrial robots

special features

- › Mounting hole diameter: 22.3 mm according to IEC 60947
- › Mounting depth just 9.2 mm (with PCB switching element) or 27 mm (QC switching element)
- › Min. degree of protection IP65 according to DIN EN 60529
- › 2 collar shapes, round or square
- › Switching elements with silver contacts (max. 250 V/4 A) or gold contacts (max. 35 V/100 mA)
- › The switching elements for printed circuit boards (PCBs) can be combined with other components on a printed circuit board.
- › Switching elements with quick-connect terminal (QC) and LED clip for illumination
- › With the short-travel adapter, compatible with the MICON 5 tactile switch as a switching element
- › Legending on request



description

RAFIX control devices are defined at RAFI as modular elements, consisting of an actuating element, if necessary a coupling and an individual contact or lighting unit.

Actuating elements (such as pushbuttons, emergency stop actuators, etc.) have the intended tactility, reset and function only when assembled with the appropriate switching elements.

Non-illuminated pushbutton, with protective cap for use in more difficult environmental conditions.

technical data

› general

| | |
|------------------------------|------------|
| Disassembly possible | no |
| Bezel color | slate gray |
| Property of bezel / mushroom | opaque |
| Front ring color | black |

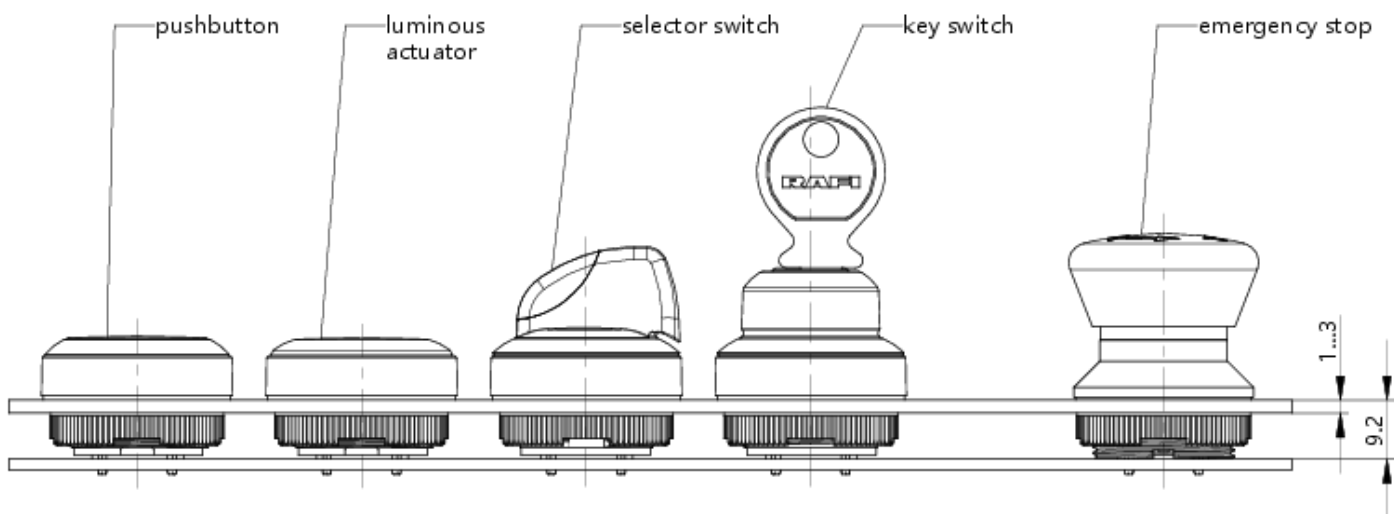
direct links

- › [RAFI eCatalog](#)

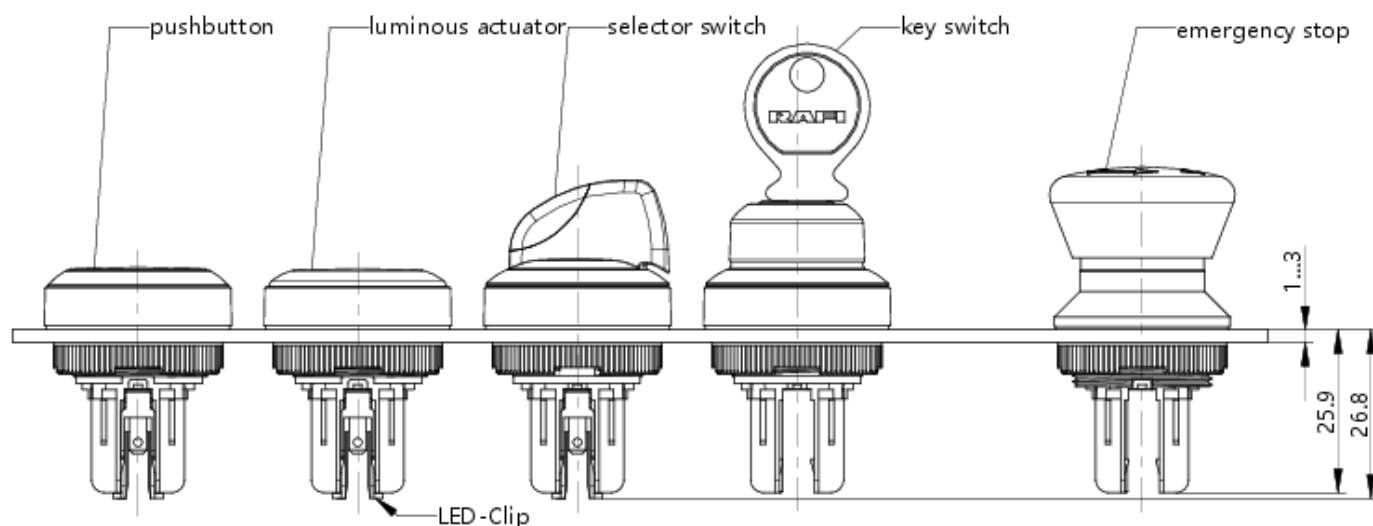
| | |
|--|--|
| Collar shape | round |
| Operating temperature, min. | -25 °C |
| Operating temperature, max. | 70 °C |
| Storage temperature, min. | -40 °C |
| Storage temperature, max. | 80 °C |
| illuminated | No |
| Packaging | Box |
| Packaging unit | 10 pcs. |
| net weight | 6.8 g |
| Operating life | 1,000,000 cycles |
| B10 | 1,300,000 cycles |
| Degree of protection, front side, according to DIN EN 60529 | IP65 |
| Degree of protection, front side, according to ISO 20653 | IP6K9K at 23°C water temperature |
| UL Enclosure Type Rating front side | type 1 type 4X indoor |
| Environment resistance | IEC 60068-2-14 IEC 60068-2-30 IEC 60068-2-33 IEC 60068-2-78 |
| Salt-spray resistance according to standard | IEC 60068-2-11 |
| MOQ order | 10 pcs. |
| RoHS compliant | Yes |
| REACH compliant | Yes |
| > mounting diameters | |
| Outside dimension, length | 29.8 mm |
| Outside dimension, width | 29.8 mm |
| Outside dimension, height | 20.7 mm |
| Mounting hole | 22.3 mm |
| Mounting depth | 9.2 mm |
| Installation height | 9.85 mm |
| Grid, min. | 30 x 30 mm |
| Collar dimension | ø 29,8 mm |
| > mechanical data | |
| Actuation function | momentary contact function |
| Operating force, max. | 100 N |
| Operating travel, max. | 4 mm |
| Fixing | Threaded ring |
| Threaded ring torque, max. | 1.2 Nm |

drawings

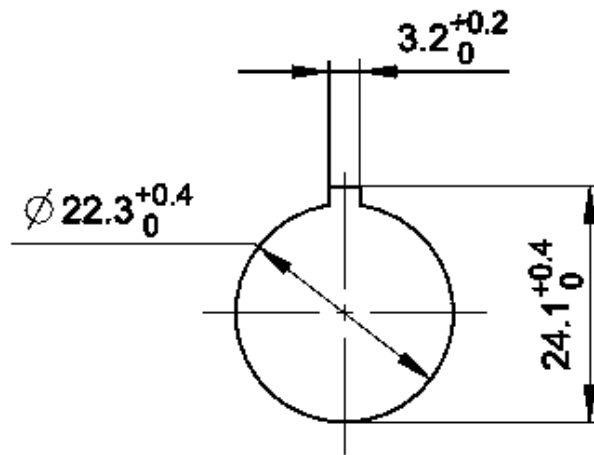
System drawing



System drawing



Mounting hole drawing



acc. to IEC 60947-5-1

front panel drawing

