

RAFIX 22 FS⁺, illuminated pushbutton, flat bezel, square collar, momentary contact function, frontring slate gray, bezel red



fields of application

- › Measurement-control-regulation
- › Electrical engineering
- › Mechanical and system engineering
- › Vehicle construction
- › Handheld terminals
- › Industrial robots

special features

- › Illuminated pushbutton, panel illumination with SMT LED
- › Low installation depth 9.2 mm (PCB) or 27 mm (QC)
- › Special tactile feedback
- › Ideal for operation with gloves
- › Connection types: printed circuit board connection (PCB) or plug-in connection (QC)
- › PCB switching elements minimize assembly errors
- › Switching elements with silver contacts (max. 250 V/4 A) or gold contacts (max. 35 V/100 mA)
- › The tactile switch adapter allows MICON 5 tactile switches to be used as switching elements
- › Design adaptation by different front ring variations
- › Degree of protection: IP 65 at the front
- › Two collar shapes: round and square



description

RAFIX control devices are defined at RAFI as modular elements, consisting of an actuating element, if necessary a coupling and an individual contact or lighting unit.

Actuating elements (such as pushbuttons, emergency stop actuators, etc.) have the intended tactility, reset and function only when assembled with the appropriate switching elements.

Pushbutton with translucent bezel. In combination with a corresponding switching element, the bezel can be fully illuminated.

technical data

› general

| | |
|------------------------------|-------------|
| Disassembly possible | no |
| Bezel color | red |
| Property of bezel / mushroom | translucent |
| Front ring color | slate gray |

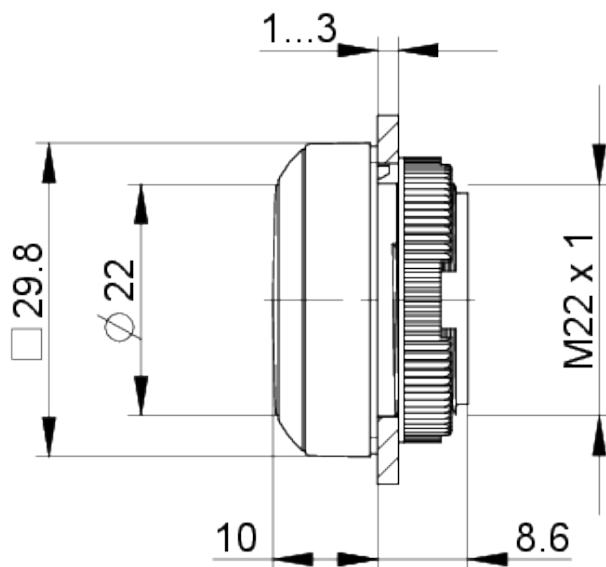
direct links

- › [RAFI eCatalog](#)

| | |
|--|--|
| Collar shape | square |
| Operating temperature, min. | -25 °C |
| Operating temperature, max. | 70 °C |
| Storage temperature, min. | -40 °C |
| Storage temperature, max. | 80 °C |
| illuminated | Yes |
| Packaging | Box |
| Packaging unit | 10 pcs. |
| Operating life | 1,000,000 cycles |
| B10 | 1,300,000 cycles |
| Degree of protection, front side, according to DIN EN 60529 | IP65 |
| UL Enclosure Type Rating front side | type 1 type 4X indoor |
| Environment resistance | IEC 60068-2-14 IEC 60068-2-30 IEC 60068-2-33 IEC 60068-2-78 |
| Salt-spray resistance according to standard | IEC 60068-2-11 |
| MOQ order | 10 pcs. |
| RoHS compliant | Yes |
| REACH compliant | Yes |
| > mounting diameters | |
| Outside dimension, length | 29.8 mm |
| Outside dimension, width | 29.8 mm |
| Outside dimension, height | 18.5 mm |
| Mounting hole | 22.3 mm |
| Mounting depth | 9.2 mm |
| Installation height | 9.85 mm |
| Grid, min. | 30 x 30 mm |
| Collar dimension | 29,8 x 29,8 mm |
| > mechanical data | |
| Actuation function | momentary contact function |
| Operating force, max. | 100 N |
| Operating travel, max. | 4 mm |
| Fixing | Threaded ring |
| Threaded ring torque, max. | 1.2 Nm |

drawings

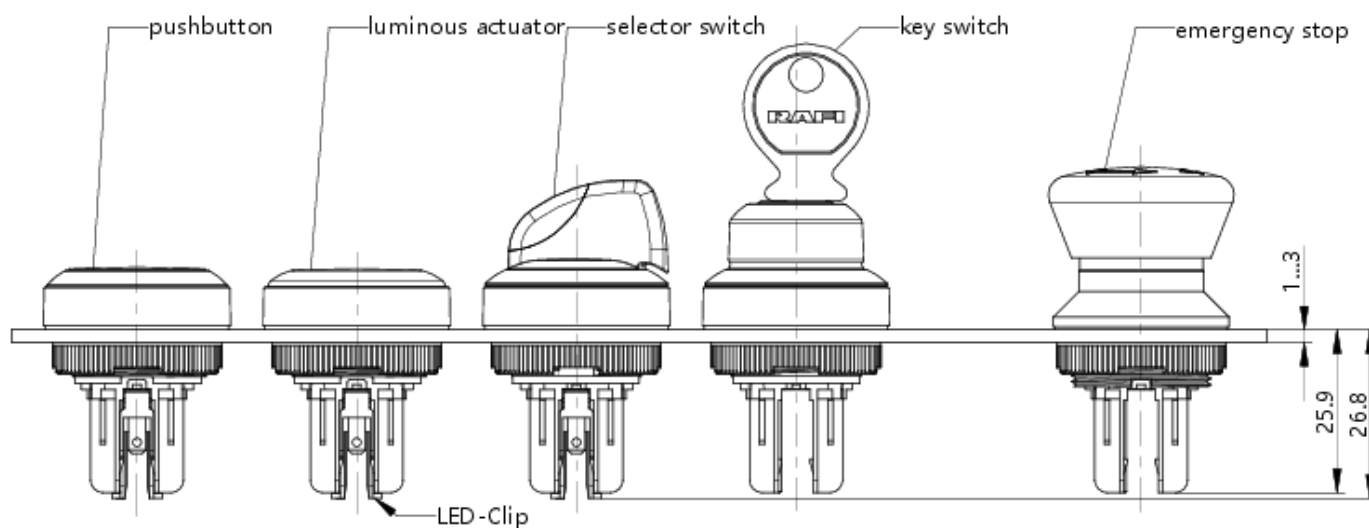
Dimensioned drawing



System drawing



System drawing



Mounting hole drawing



acc. to IEC 60947-5-1

front panel drawing

