

## RAFIX 22 FS<sup>+</sup>, illuminated pushbutton ring lighting, collar round, momentary contact function, frontring white, bezel black



### fields of application

- › Measurement-control-regulation
- › Electrical engineering
- › Mechanical and system engineering
- › Vehicle construction
- › Handheld terminals
- › Industrial robots

### special features

- › Illuminated pushbutton with ring illumination
- › Illumination of the front ring with SMT LED
- › Colour of lens black
- › Low installation depth 9.2 mm (PCB) or 27 mm (QC)
- › Special tactile feedback
- › Ideal for operation with gloves
- › Connection types: PCB connection (PCB) or plug-in connection (QC)
- › PCB switching elements minimize assembly errors
- › Switching elements with silver contacts (max. 250 V/4 A) or gold contacts (max. 35 V/100 mA)
- › With the short-travel adapter, MICON 5 short-travel keyswitches can be used as switching element
- › Degree of protection: IP 65 on front side



## description

RAFIX control devices are defined at RAFI as modular elements, consisting of an actuating element, if necessary a coupling and an individual contact or lighting unit.

Actuating elements (such as pushbuttons, emergency stop actuators, etc.) have the intended tactility, reset and function only when assembled with the appropriate switching elements.

Illuminated pushbutton with ring illumination. In combination with a corresponding switching element, the outer ring can be fully illuminated.

## technical data

### › general

|                              |        |
|------------------------------|--------|
| Disassembly possible         | no     |
| Bezel color                  | black  |
| Property of bezel / mushroom | opaque |
| Collar color                 | black  |

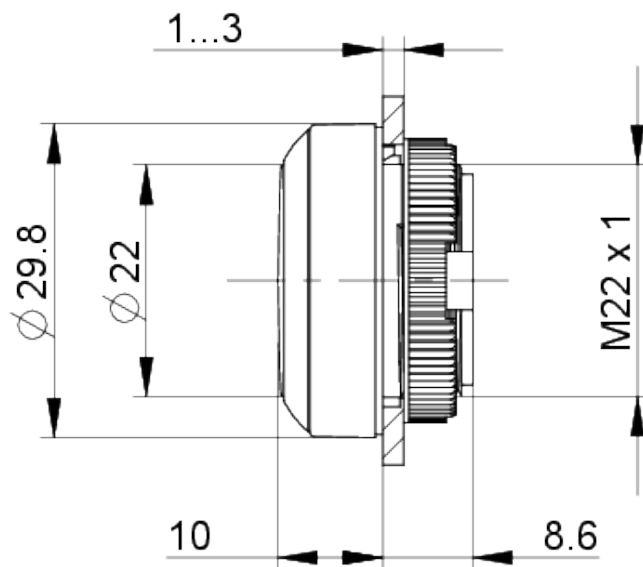
### direct links

- › [RAFI eCatalog](#)

|  |  |
|--|--|
| Front ring color   | white  |
| Collar shape   | round  |
| Operating temperature, min.                                    | -25 °C   |
| Operating temperature, max.                                    | 70 °C  |
| Storage temperature, min.                                      | -40 °C   |
| Storage temperature, max.                                      | 80 °C  |
| illuminated  | Yes  |
| Packaging  | Box  |
| Packaging unit   | 10 pcs.  |
| net weight   | 7.2 g  |
| Operating life   | 1,000,000 cycles   |
| B10  | 1,300,000 cycles   |
| Degree of protection, front side,<br>according to DIN EN 60529 | IP65   |
| UL Enclosure Type Rating front<br>side                         | type 1<br>type 4X indoor   |
| Environment resistance   | IEC 60068-2-14<br>IEC 60068-2-30<br>IEC 60068-2-33<br>IEC 60068-2-78 |
| Salt-spray resistance according to<br>standard                 | IEC 60068-2-11   |
| MOQ order  | 10 pcs.  |
| RoHS compliant   | Yes  |
| REACH compliant  | Yes  |
| <b>&gt; mounting diameters</b>                                 |  |
| Outside dimension, length                                      | 29.8 mm  |
| Outside dimension, width                                       | 29.8 mm  |
| Outside dimension, height                                      | 10 mm  |
| Mounting hole  | 22.3 mm  |
| Mounting depth   | 8.5 mm   |
| Installation height  | 10 mm  |
| Grid, min.   | 30 mm  |
| <b>&gt; mechanical data</b>                                    |  |
| Actuation function   | momentary contact function   |
| Operating torque, max.   | 1.2 Nm   |
| Operating travel, max.   | 4 mm   |
| Fixing   | Threaded ring  |

**drawings**

**Dimensioned drawing**



**System drawing**



**System drawing**



**Mounting hole drawing**



acc. to IEC 60947-5-1

front panel drawing

