

RAFIX 22 FS⁺, illuminated pushbutton, protruding bezel, square collar, momentary contact function, front ring light gray, bezel white



fields of application

- › Measurement-control-regulation
- › Electrical engineering
- › Mechanical and system engineering
- › Vehicle construction
- › Handheld terminals
- › Industrial robots

special features

- › Illuminated pushbutton, panel illumination with SMT LED
- › Low installation depth 9.2 mm (PCB) or 27 mm (QC)
- › Special tactile feedback
- › Ideal for operation with gloves
- › Connection types: printed circuit board connection (PCB) or plug-in connection (QC)
- › PCB switching elements minimize assembly errors
- › Switching elements with silver contacts (max. 250 V/4 A) or gold contacts (max. 35 V/100 mA)
- › The tactile switch adapter allows MICON 5 tactile switches to be used as switching elements
- › Design adaptation by different front ring variations
- › Degree of protection: IP 65 at the front
- › Two collar shapes: round and square



description

RAFIX control devices are defined at RAFI as modular elements, consisting of an actuating element, if necessary a coupling and an individual contact or lighting unit.

Actuating elements (such as pushbuttons, emergency stop actuators, etc.) have the intended tactility, reset and function only when assembled with the appropriate switching elements.

Pushbutton with translucent bezel. In combination with a corresponding switching element, the bezel can be fully illuminated.

technical data

› general

Disassembly possible	no
Bezel color	white
Property of bezel / mushroom	translucent

Front ring color	light gray
Collar shape	square
Operating temperature, min.	-25 °C
Operating temperature, max.	70 °C
Storage temperature, min.	-40 °C
Storage temperature, max.	80 °C
illuminated	Yes
Packaging	Box
Packaging unit	10 pcs.
Operating life	1,000,000 cycles
B10	1,300,000 cycles
Degree of protection, front side, according to DIN EN 60529	IP65
UL Enclosure Type Rating front side	type 1 type 4X indoor
Environment resistance	IEC 60068-2-14 IEC 60068-2-30 IEC 60068-2-33 IEC 60068-2-78
Salt-spray resistance according to standard	IEC 60068-2-11
MOQ order	10 pcs.
RoHS compliant	Yes
REACH compliant	Yes

> mounting diameters

Outside dimension, length	29.8 mm
Outside dimension, width	29.8 mm
Outside dimension, height	21.6 mm
Mounting hole	22.3 mm
Mounting depth	9.2 mm
Installation height	12.9 mm
Grid, min.	30 x 30 mm
Collar dimension	29,8 x 29,8 mm

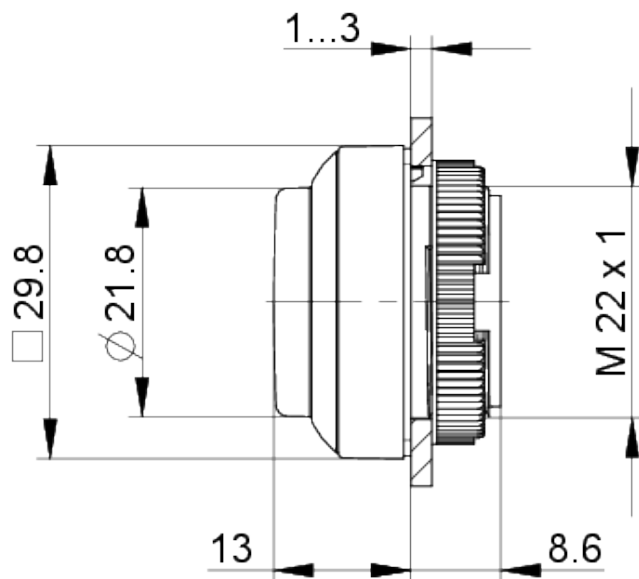
> mechanical data

Actuation function	momentary contact function
Operating force, max.	100 N
Operating travel, max.	4 mm
Fixing	Threaded ring
Threaded ring torque, max.	1.2 Nm

direct links[> RAFI eCatalog](#)

drawings

Dimensioned drawing



System drawing



System drawing



Mounting hole drawing



acc. to IEC 60947-5-1

front panel drawing

