

RAFIX 22 FS+, keylock switch E7, frontring metallic silver, 1 x 90°, shape V, latching, key removal position 0



fields of application

- › Measurement-control-regulation
- › Electrical engineering
- › Mechanical and system engineering
- › Vehicle construction
- › Handheld terminals
- › Industrial robots

special features

- › Low installation depth 9.2 mm (PCB) or 27 mm (QC)
- › Connection types: printed circuit board connection (PCB) or plug-in connection (QC)
- › PCB switching elements minimize mounting errors
- › Switching elements with silver contacts (max. 250 V/4 A) or gold contacts (max. 35 V/100 mA)
- › Design adaptation through different front ring variations



description

RAFIX control devices are defined at RAFI as modular elements, consisting of an actuating element, if necessary a coupling and an individual contact or lighting unit.

Actuating elements (such as pushbuttons, emergency stop actuators, etc.) have the intended tactility, reset and function only when assembled with the appropriate switching elements.

The locking systems we use were developed by renowned lock manufacturers in accordance with the DIN EN 1303 standard. They are open, mechanical systems which, depending on the environmental conditions, require occasional maintenance (e.g. greasing) by the machine or system operator.

We have developed and fully qualified our key switches with RAFI reference keys. Under certain circumstances, plant operators may be using various low-cost key copies or third-party keys whose function and tactility may differ.

technical data

› general

Disassembly possible	no
Scope of delivery	Without key
Color	dark gray
Collar color	dark gray
Front ring color	metallic silver
Collar shape	round
Operating temperature, min.	-25 °C
Operating temperature, max.	70 °C
Storage temperature, min.	-40 °C
Storage temperature, max.	80 °C

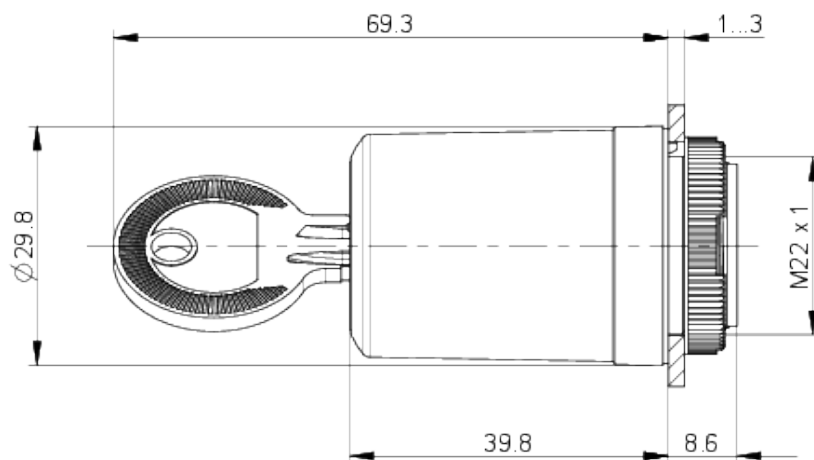
direct links

- › [RAFI eCatalog](#)

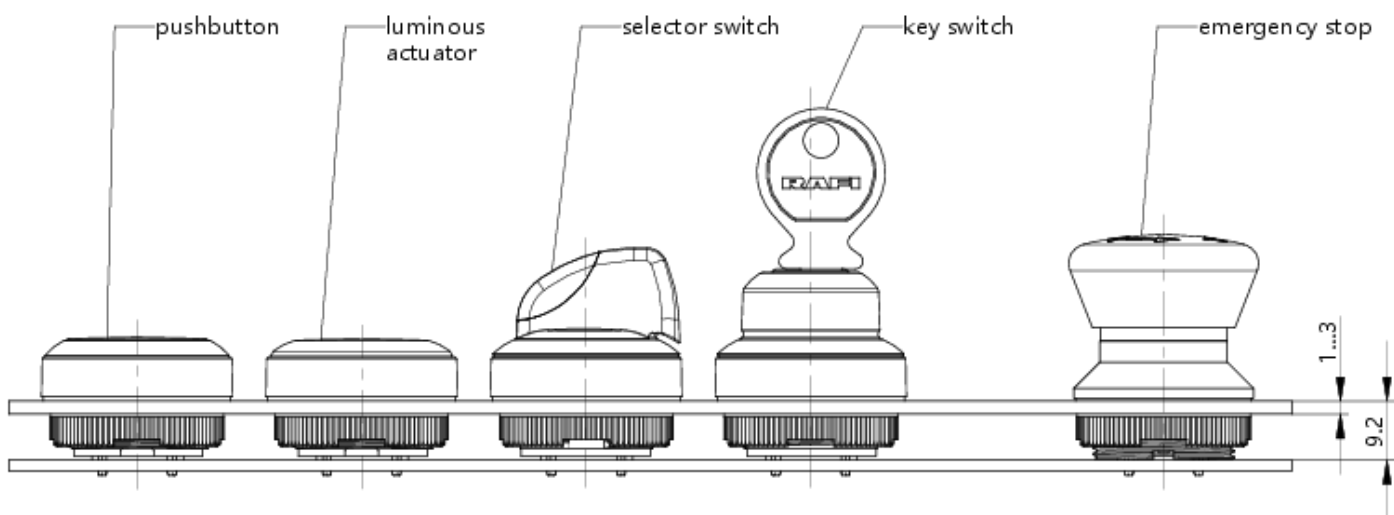
illuminated	No
Packaging	Box
Packaging unit	2 pcs.
net weight	50 g
Operating life	30,000 cycles
B10	43,000 cycles
Degree of protection, front side, according to DIN EN 60529	IP65
UL Enclosure Type Rating front side	type 1 type 4X indoor
Shock resistance according to standard IEC 60068-2-27	15 g at 11 ms amplitude semi-sinusoidal
oscillation resistance according to standard IEC 60068-2-6	5 g at 10...500 Hz
MOQ order	10 pcs.
RoHS compliant	Yes
REACH compliant	Yes
> mounting diameters	
Outside dimension, length	29.8 mm
Outside dimension, width	29.8 mm
Outside dimension, height	47.6 mm
Mounting hole	22.3 mm
Mounting depth	9.2 mm
Installation height	39.8 mm
Grid, min.	30 mm
> mechanical data	
Actuation function	latching
Operating torque, max.	1.3 Nm
Resistance to force on the side	100 N
Locking position	E7
Number of locking positions	1
Key removal position	0
Rotating angle	1 x 90°, shape V
Fixing	Threaded ring
Threaded ring torque, max.	1.2 Nm

drawings

Dimensioned drawing



System drawing



System drawing



Mounting hole drawing



acc. to IEC 60947-5-1

front panel drawing

