

## RAFIX 22 FSR, keylock switch, round collar, frontring black, 1 x 40°, momentary contact function, key removal position 0



### fields of application

- › Measurement-control-regulation
- › Mechanical and system engineering
- › Agricultural and forestry machinery
- › Construction machinery

### special features

- › Key switch with protection cap
- › Degree of protection: IP 65 / IP 69 front side
- › Low installation depth 9.2 mm (PCB) or 27 mm (QC)
- › Connection types: printed circuit board connection (PCB) or plug-in connection (QC)
- › PCB switching elements minimize mounting errors
- › Switching elements with silver contacts (max. 250 V/4 A) or gold contacts (max. 35 V/100 mA)



### description

RAFIX control devices are defined at RAFI as modular elements, consisting of an actuating element, if necessary a coupling and an individual contact or lighting unit.

Actuating elements (such as pushbuttons, emergency stop actuators, etc.) have the intended tactility, reset and function only when assembled with the appropriate switching elements.

The locking systems we use were created according to the DIN EN 1303 standard by well-known lock manufacturers. They are open, mechanical systems which, depending on the environmental conditions, require occasional maintenance (e.g. greasing & oiling) by the machine or system operator.

The RAFIX 22 FSR keylock switches are fitted with a plastic protective cap, which protects against the ingress of dirt, water and the risk of icing up.

The locking systems we use have been created by reputable lock manufacturers in accordance with the DIN EN 1303 standard. They are open, mechanical systems that require occasional maintenance by the operator depending on the ambient conditions. The scope of delivery includes two keys.

### technical data

#### › general

Disassembly possible	no
Scope of delivery	2 keys
Front ring color	black
Collar shape	round
Operating temperature, min.	-40 °C

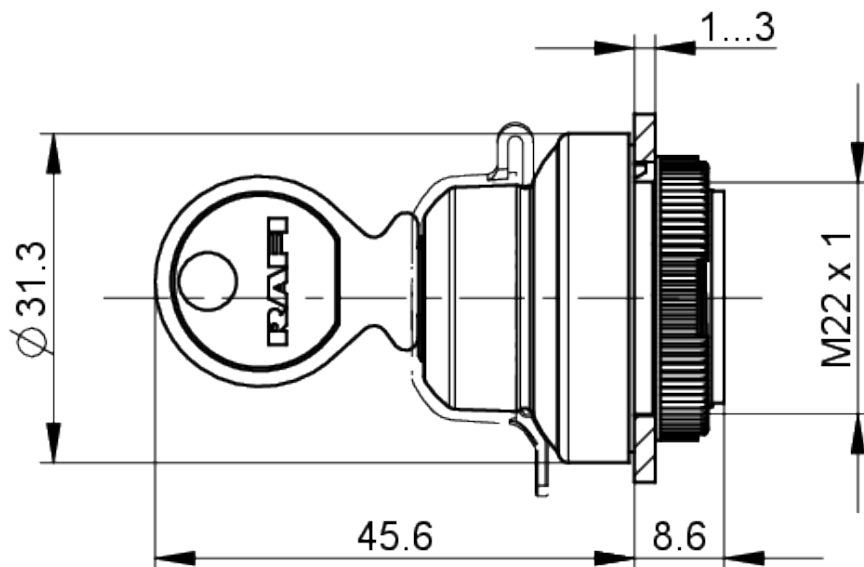
#### direct links

- › [RAFI eCatalog](#)

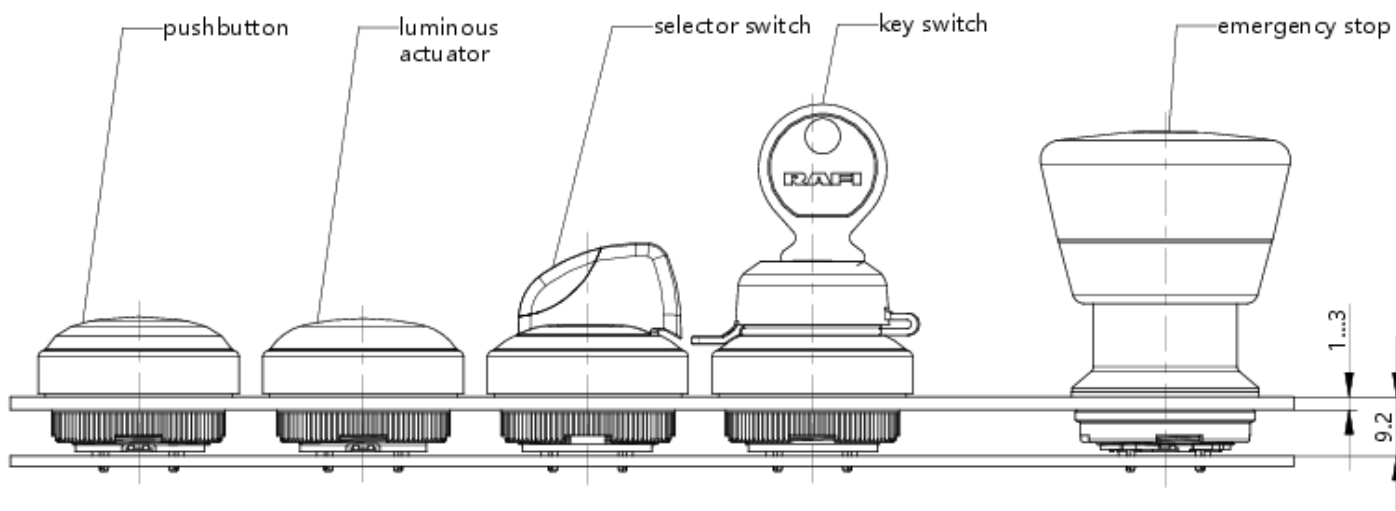
Operating temperature, max.	85 °C
Storage temperature, min.	-40 °C
Storage temperature, max.	85 °C
illuminated	No
Packaging	Box
Packaging unit	2 pcs.
net weight	44.1 g
Operating life	300,000 cycles
B10	390,000 cycles
Degree of protection, front side, according to DIN EN 60529	IP65 IP69
UL Enclosure Type Rating front side	type 1 type 4X indoor
Environment resistance	IEC 60068-2-14 IEC 60068-2-30 IEC 60068-2-33 IEC 60068-2-78
Salt-spray resistance according to standard	IEC 60068-2-11
MOQ order	10 pcs.
RoHS compliant	Yes
REACH compliant	Yes
<b>&gt; mounting diameters</b>	
Outside dimension, length	31.3 mm
Outside dimension, width	31.3 mm
Outside dimension, height	30.1 mm
Mounting hole	22.3 mm
Mounting depth	9.2 mm
Installation height	21.5 mm
Grid, min.	32 x 32 mm
Collar dimension	ø 31,3 mm
<b>&gt; mechanical data</b>	
Actuation function	momentary contact function
Operating torque, max.	1.3 Nm
Resistance to force on the side	130 N
Locking position	001
Key removal position	0
Rotating angle	1 x 40°
Fixing	Threaded ring
Threaded ring torque, max.	1.2 Nm

**drawings**

**Dimensioned drawing**



**System drawing**



**System drawing**

