

RAFIX 22 FSR, keylock switch, round collar, frontring black, 2 x 40°, momentary contact function, key removal position 0



fields of application

- Measurement-control-regulation
- Mechanical and system engineering
- Agricultural and forestry machinery
- Construction machinery

special features

- Key switch with protection cap
- Degree of protection: IP 65 / IP 69 front side
- Low installation depth 9.2 mm (PCB) or 27 mm (QC)
- Connection types: printed circuit board connection (PCB) or plug-in connection (QC)
- PCB switching elements minimize mounting errors
- Switching elements with silver contacts (max. 250 V/4 A) or gold contacts (max. 35 V/100 mA)



description

RAFIX control devices are defined at RAFI as modular elements, consisting of an actuating element, if necessary a coupling and an individual contact or lighting unit.

Actuating elements (such as pushbuttons, emergency stop actuators, etc.) have the intended tactility, reset and function only when assembled with the appropriate switching elements.

The locking systems we use were created according to the DIN EN 1303 standard by well-known lock manufacturers. They are open, mechanical systems which, depending on the environmental conditions, require occasional maintenance (e.g. greasing & oiling) by the machine or system operator.

The RAFIX 22 FSR keylock switches are fitted with a plastic protective cap, which protects against the ingress of dirt, water and the risk of icing up.

The locking systems we use have been created by reputable lock manufacturers in accordance with the DIN EN 1303 standard. They are open, mechanical systems that require occasional maintenance by the operator depending on the ambient conditions. The scope of delivery includes two keys.

technical data

> general

| | |
|--|--|
| Disassembly possible | no |
| Scope of delivery | 2 keys |
| Front ring color | black |
| Collar shape | round |
| Operating temperature, min. | -40 °C |
| Operating temperature, max. | 85 °C |
| Storage temperature, min. | -40 °C |
| Storage temperature, max. | 85 °C |
| illuminated | No |
| Packaging | Box |
| Packaging unit | 2 pcs. |
| net weight | 44.1 g |
| Operating life | 300,000 cycles |
| B10 | 390,000 cycles |
| Degree of protection, front side, according to DIN EN 60529 | IP65 IP69 |
| UL Enclosure Type Rating front side | type 1 type 4X |
| Environment resistance | IEC 60068-2-14 IEC 60068-2-30 IEC 60068-2-33 IEC 60068-2-78 |
| Salt-spray resistance according to standard | IEC 60068-2-11 |
| MOQ order | 2 pcs. |
| RoHS compliant | Yes |
| REACH compliant | Yes |

direct links

> [RAFI eCatalog](#)

> mounting diameters

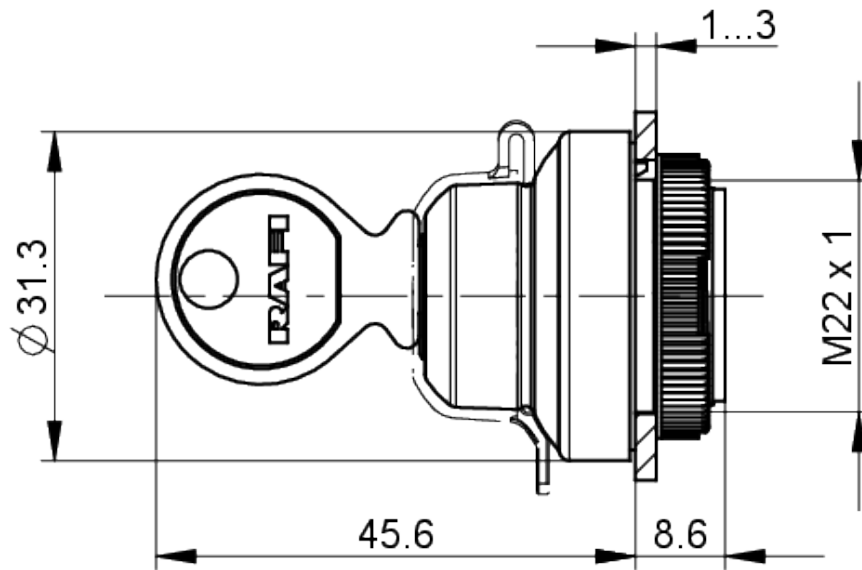
| | |
|---------------------------|------------|
| Outside dimension, length | 31.3 mm |
| Outside dimension, width | 31.3 mm |
| Mounting hole | 22.3 mm |
| Mounting depth | 9.2 mm |
| Installation height | 45.6 mm |
| Grid, min. | 35 x 35 mm |
| Collar dimension | ø 31,3 mm |

> mechanical data

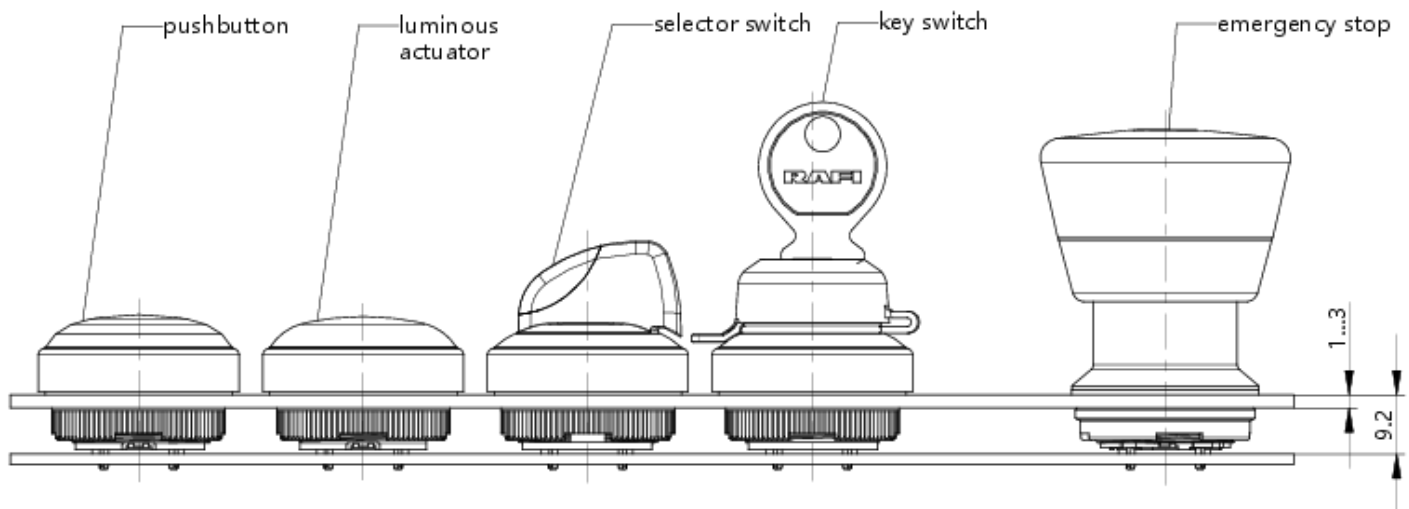
| | |
|---------------------------------|----------------------------|
| Actuation function | momentary contact function |
| Operating torque, max. | 1.3 Nm |
| Resistance to force on the side | 130 N |
| Locking position | 001 |
| Key removal position | 0 |
| Rotating angle | 2 x 40° |
| Fixing | Threaded ring |
| Threaded ring torque, max. | 1.2 Nm |

drawings

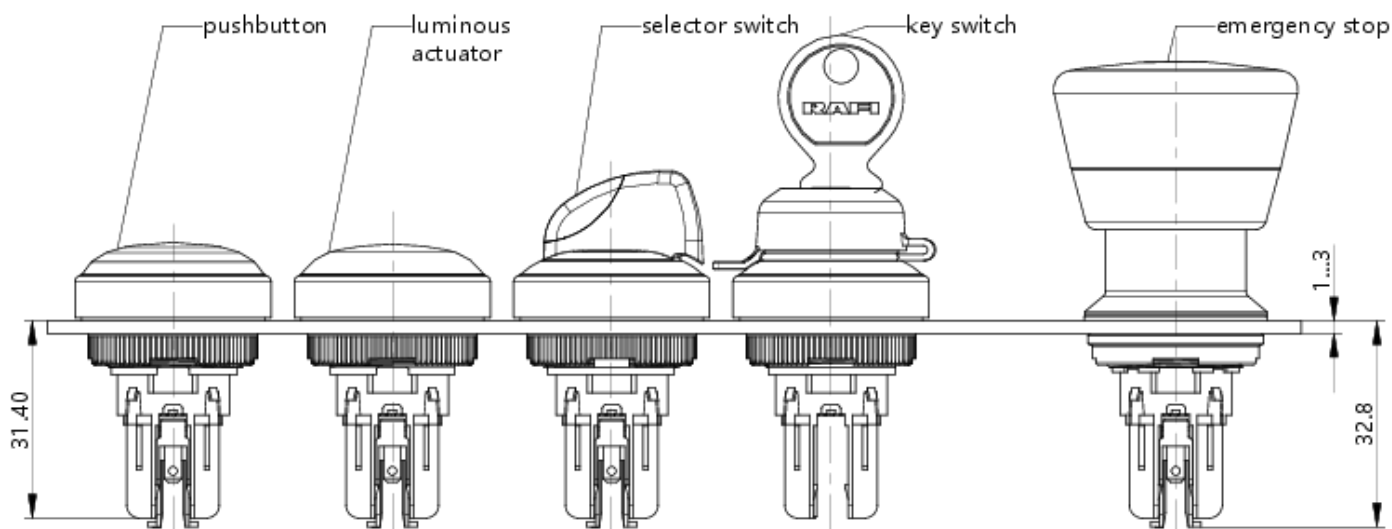
Dimensioned drawing



System drawing



System drawing



front panel drawing

