

RAFIX 30 FS⁺, illuminated pushbutton, round collar, momentary contact function, frontring stainless steel, bezel white



fields of application

- › Measurement-control-regulation
- › Electrical engineering
- › Mechanical and system engineering
- › Vehicle construction
- › Industrial robots

special features

- › Formschöner Frontring aus Edelstahl
- › Geringe Einbautiefe 15,7 mm (PCB) bzw. 33,3 mm (QC)
- › Besonderes taktiles Feedback
- › Ideal für die Bedienung mit Handschuhen
- › Anschlussarten: Leiterplattenanschluss (PCB) oder Steckanschluss (QC)
- › Die PCB-Schaltelemente minimieren Montagefehler
- › Schaltelemente mit Silberkontakten (max. 250 V/4 A) oder Goldkontakten (max. 35 V/100 mA)
- › Durch den Kurzhubadapter können MICON 5 Kurzhubtaster als Schaltelement verwendet werden
- › Schutzgrad: IP 65 frontseitig



description

RAFIX control devices are defined at RAFI as modular elements, consisting of an actuating element, if necessary a coupling and an individual contact or lighting unit.

Actuating elements (such as pushbuttons, emergency stop actuators, etc.) have the intended tactility, reset and function only when assembled with the appropriate switching elements.

Pushbutton with translucent bezel. In combination with a corresponding switching element, the bezel can be fully illuminated.

technical data

› general

Disassembly possible	no
Bezel color	white
Property of bezel / mushroom	translucent
Front ring color	stainless steel
Collar shape	round
Operating temperature, min.	-25 °C
Operating temperature, max.	70 °C
Storage temperature, min.	-40 °C
Storage temperature, max.	80 °C

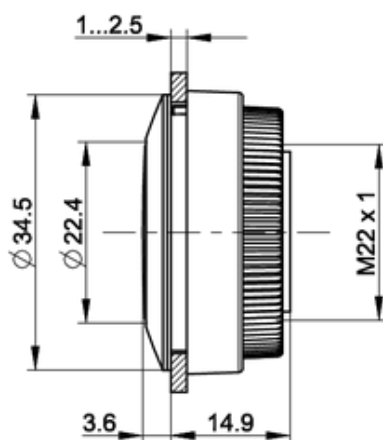
direct links

- › [RAFI eCatalog](#)

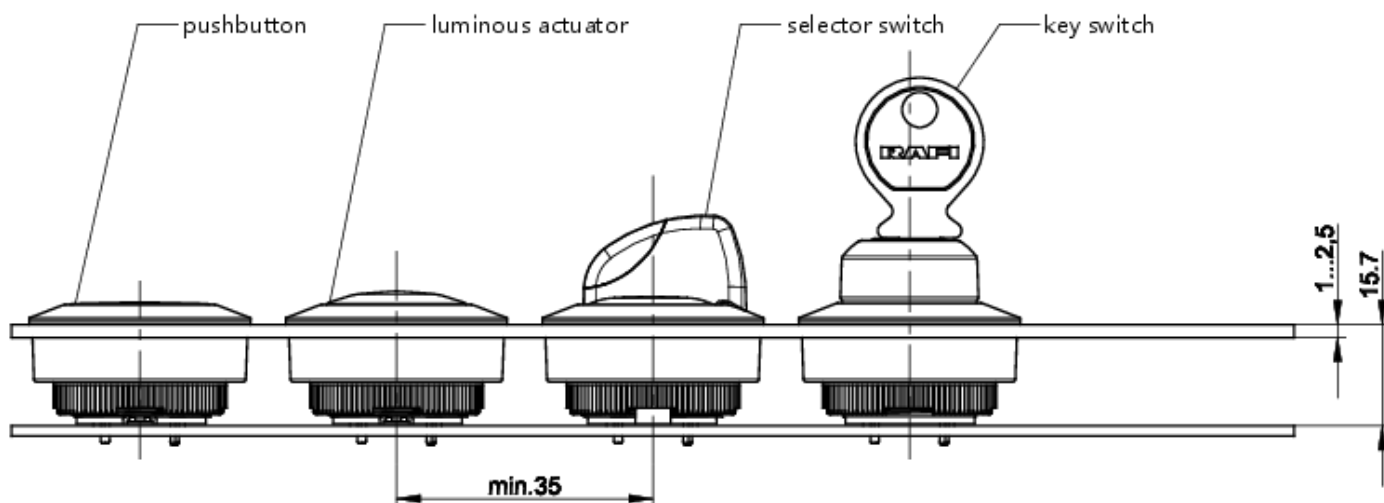
illuminated	Yes
Packaging	Box
Packaging unit	10 pcs.
net weight	13.4 g
Operating life	1,000,000 cycles
B10	1,300,000 cycles
Degree of protection, front side, according to DIN EN 60529	IP65
UL Enclosure Type Rating front side	type 1 type 4X indoor
Environment resistance	IEC 60068-2-14 IEC 60068-2-30 IEC 60068-2-33 IEC 60068-2-78
Salt-spray resistance according to standard	IEC 60068-2-11
Impact resistance IK	08 frontal
MOQ order	10 pcs.
RoHS compliant	Yes
REACH compliant	Yes
> mounting diameters	
Outside dimension, length	34.5 mm
Outside dimension, width	34.5 mm
Outside dimension, height	18.5 mm
Mounting hole	30.3 mm
Mounting depth	15.7 mm
Installation height	3.6 mm
Grid, min.	35 x 35 mm
Collar dimension	ø 34,5 mm
> mechanical data	
Actuation function	momentary contact function
Operating force, max.	100 N
Operating travel, max.	4 mm
Fixing	Threaded ring
Threaded ring torque, max.	1.2 Nm

drawings

Dimensioned drawing



System drawing



Mounting hole drawing

