

RAFIX 30 FS⁺, illuminated pushbutton, round collar, latching, frontring stainless steel, bezel red



fields of application

- › Measurement-control-regulation
- › Electrical engineering
- › Mechanical and system engineering
- › Vehicle construction
- › Industrial robots

special features

- › Formschöner Frontring aus Edelstahl
- › Geringe Einbautiefe 15,7 mm (PCB) bzw. 33,3 mm (QC)
- › Besonderes taktiles Feedback
- › Ideal für die Bedienung mit Handschuhen
- › Anschlussarten: Leiterplattenanschluss (PCB) oder Steckanschluss (QC)
- › Die PCB-Schaltelemente minimieren Montagefehler
- › Schaltelemente mit Silberkontakten (max. 250 V/4 A) oder Goldkontakten (max. 35 V/100 mA)
- › Durch den Kurzhubadapter können MICON 5 Kurzhubtaster als Schaltelement verwendet werden
- › Schutzgrad: IP 65 frontseitig



description

RAFIX control devices are defined at RAFI as modular elements, consisting of an actuating element, if necessary a coupling and an individual contact or lighting unit.

Actuating elements (such as pushbuttons, emergency stop actuators, etc.) have the intended tactility, reset and function only when assembled with the appropriate switching elements.

Pushbutton with translucent bezel. In combination with a corresponding switching element, the bezel can be fully illuminated.

technical data

› general

Disassembly possible	no
Bezel color	red
Property of bezel / mushroom	translucent
Front ring color	stainless steel
Collar shape	round
Operating temperature, min.	-25 °C

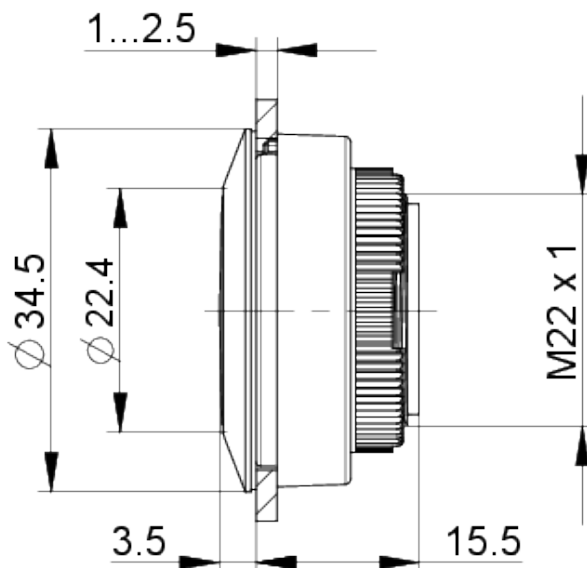
direct links

- › [RAFI eCatalog](#)

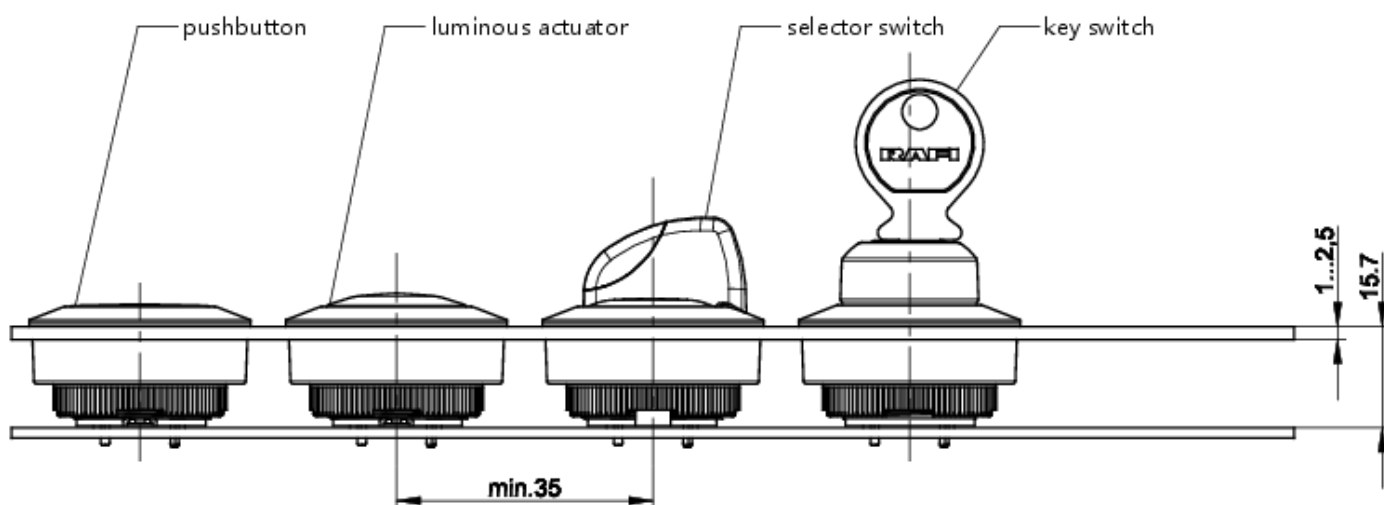
Operating temperature, max.	70 °C
Storage temperature, min.	-40 °C
Storage temperature, max.	80 °C
illuminated	Yes
Packaging	Box
Packaging unit	10 pcs.
net weight	13.4 g
Operating life	500,000 cycles
B10	650,000 cycles
Degree of protection, front side, according to DIN EN 60529	IP65
UL Enclosure Type Rating front side	type 1 type 4X
Environment resistance	IEC 60068-2-14 IEC 60068-2-30 IEC 60068-2-33 IEC 60068-2-78
Salt-spray resistance according to standard	IEC 60068-2-11
MOQ order	10 pcs.
RoHS compliant	Yes
REACH compliant	Yes
> mounting diameters	
Outside dimension, length	34.5 mm
Outside dimension, width	34.5 mm
Outside dimension, height	19 mm
Mounting hole	30.3 mm
Mounting depth	15.7 mm
Installation height	3.45 mm
Grid, min.	35 x 35 mm
Collar dimension	ø 34,5 mm
> mechanical data	
Actuation function	latching
Operating force, max.	100 N
Operating travel, max.	4 mm
Fixing	Threaded ring
Threaded ring torque, max.	1.2 Nm

drawings

Dimensioned drawing



System drawing



Mounting hole drawing