

## RAFIX 30 FS<sup>+</sup>, FLEXLAB illuminated pushbutton, round collar, latching, frontring stainless steel



### fields of application

- › Measurement-control-regulation
- › Electrical engineering
- › Mechanical and system engineering
- › Vehicle construction
- › Industrial robots

### special features

- › Illuminated push-button with FLEXLAB technology for easy labeling of the panel
- › Illumination of the cover with SMT LED
- › Low overall height 3.45 mm
- › Elegant stainless steel front ring
- › Low installation depth 15.7 mm (PCB) or 33.3 mm (QC)
- › Special tactile feedback
- › Ideal for operation with gloves
- › Connection types: PCB connection (PCB) or quick connect (QC)
- › The PCB switching elements minimize assembly errors
- › Switching elements with silver contacts (max. 250 V/4 A) or gold contacts (max. 35 V/100 mA)
- › The short-stroke adapter allows MICON 5 tactile switches to be used as switching elements
- › Degree of protection: IP 65 on the front



### description

RAFIX control devices are defined at RAFI as modular elements, consisting of an actuating element, if necessary a coupling and an individual contact or lighting unit.

Actuating elements (such as pushbuttons, emergency stop actuators, etc.) have the intended tactility, reset and function only when assembled with the appropriate switching elements.

Pushbutton with translucent bezel. In combination with a corresponding switching element, the bezel can be fully illuminated.

The RAFIX FS+ FLEXLAB pushbutton gives the user the opportunity to individually label control components. Standard legending is offered for this. Alternatively, we offer a DIN A4 labelling sheet complete with pre-punched labels that can be printed using commercially available office laser printers. After printing, the legend inserts can be removed from the sheet and then inserted into the colour bezel with the help of the fine retaining lugs.

## technical data

---

### > general

|   |  |
|---|--|
| Disassembly possible  | no   |
| Front ring color  | stainless steel  |
| Collar shape  | round  |
| Operating temperature, min.                                 | -25 °C   |
| Operating temperature, max.                                 | 70 °C  |
| Storage temperature, min.                                   | -40 °C   |
| Storage temperature, max.                                   | 80 °C  |
| illuminated   | Yes  |
| Packaging   | Box  |
| Packaging unit  | 10 pcs.  |
| net weight  | 13.4 g   |
| Operating life  | 500,000 cycles   |
| B10   | 650,000 cycles   |
| Degree of protection, front side, according to DIN EN 60529 | IP65   |
| UL Enclosure Type Rating front side                         | type 1<br>type 4X indoor   |
| Environment resistance                                      | IEC 60068-2-14<br>IEC 60068-2-30<br>IEC 60068-2-33<br>IEC 60068-2-78 |
| Salt-spray resistance according to standard                 | IEC 60068-2-11   |
| Impact resistance IK  | 08 frontal   |
| MOQ order   | 10 pcs.  |
| RoHS compliant  | Yes  |
| REACH compliant   | Yes  |

### direct links

> [RAFI eCatalog](#)

### > mounting diameters

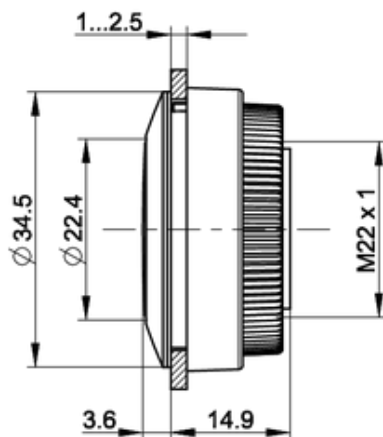
|                           |            |
|---------------------------|------------|
| Outside dimension, length | 34.5 mm    |
| Outside dimension, width  | 34.5 mm    |
| Outside dimension, height | 18.5 mm    |
| Mounting hole             | 30.3 mm    |
| Mounting depth            | 15.7 mm    |
| Installation height       | 3.6 mm     |
| Grid, min.                | 35 x 35 mm |
| Collar dimension          | ø 34,5 mm  |

### > mechanical data

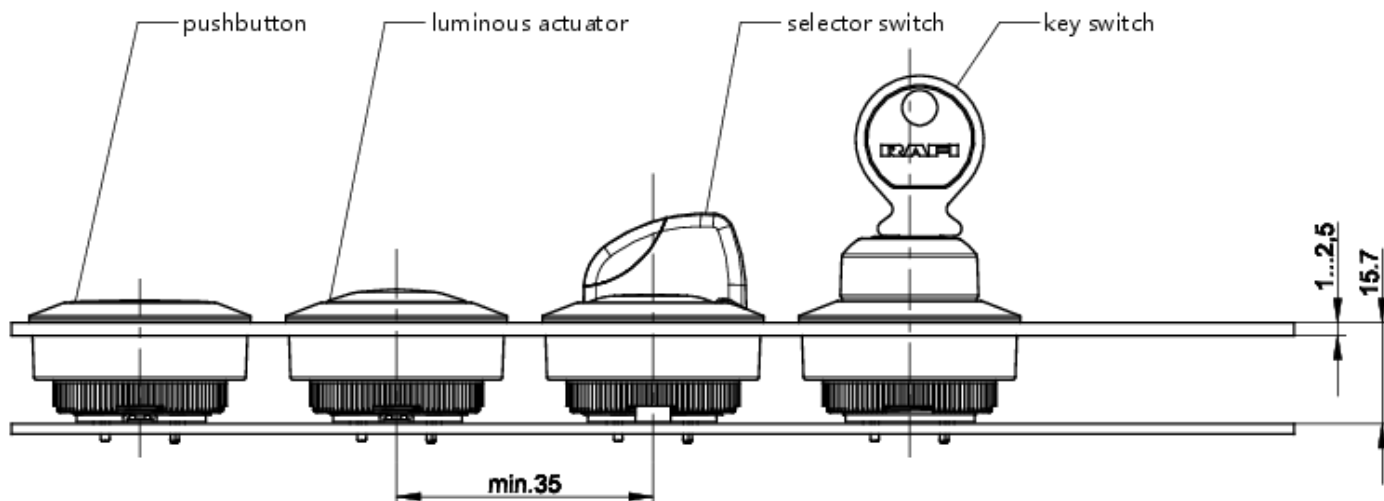
|                            |               |
|----------------------------|---------------|
| Actuation function         | latching      |
| Operating force, max.      | 100 N         |
| Operating travel, max.     | 4 mm          |
| Fixing                     | Threaded ring |
| Threaded ring torque, max. | 1.2 Nm        |

**drawings**

**Dimensioned drawing**



**System drawing**



**Mounting hole drawing**

