

## Signal lamp with lamp socket, E 10, 16.2 mm, housing, screw terminal, 250 Volt, Nickel-plated screw terminal



### fields of application

- › Measurement-control-regulation
- › Electrical engineering
- › Mechanical and system engineering
- › Signalling systems
- › Model construction

### description

Signal lamps for LEDs or filament/neon lamps with E 10 socket, mounting hole diameter 16.2 mm

### technical data

#### › general

|   |         |
|---|---------|
| Bezel shape   | round   |
| illuminated   | Yes     |
| Lamp socket   | E 10    |
| Packaging unit  | 10 pcs. |
| Degree of protection, front side, according to DIN EN 60529 | IP40    |
| MOQ order   | 10 pcs. |
| RoHS compliant  | Yes     |
| REACH compliant   | Yes     |

#### › mounting diameters

|                  |         |
|------------------|---------|
| Mounting hole    | 16.2 mm |
| Mounting depth   | 41.5 mm |
| Collar dimension | 20 mm   |

#### › mechanical data

|                      |                              |
|----------------------|------------------------------|
| Fixing               | Threaded ring                |
| Terminal on the rear | Nickel-plated screw terminal |

#### › electrical data

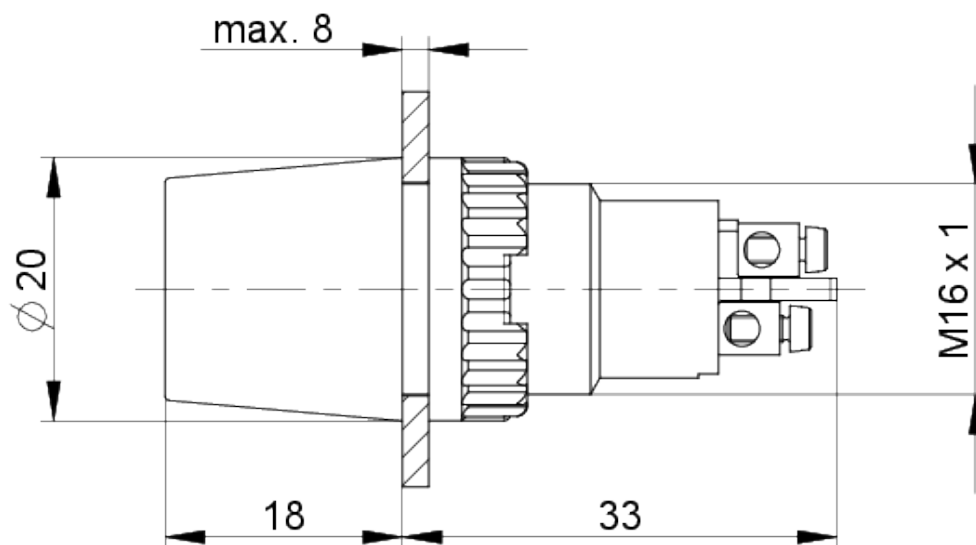
|   |       |
|---|-------|
| Operating voltage of the luminous element, max. | 250 V |
|---|-------|

### direct links

- › [RAFI eCatalog](#)

**drawings**

**Dimensioned drawing**



**Mounting hole drawing**

