

LUMOTAST 75 IP40, signal lamps, rectangular collar, flat bezel, Solder terminal

DISCONTINUED


fields of application

- > Measurement-control-regulation
- > Mechanical and system engineering
- > Signalling systems



description

The LUMOTAST 75 IP 40 signal lamps have proven themselves over decades. The well-known connection and labeling concept make the LUMOTAST 75 IP 40 series your reliable component. These signal lamps offer protection class IP 40 according to DIN.

technical data

> general

Collar color	black
Collar shape	rectangular
Operating temperature, min.	-25 °C
Operating temperature, max.	55 °C
Storage temperature, min.	-40 °C
Storage temperature, max.	80 °C
illuminated	Yes
Lamp socket	T4.5
Packaging	Box
Packaging unit	10 pcs.
net weight	7.7 g
Degree of protection, front side, according to DIN EN 60529	IP40
MOQ order	20 pcs.
RoHS compliant	Yes
REACH compliant	Yes

direct links

- > [RAFI eCatalog](#)

> mounting diameters

Outside dimension, length	24 mm
Outside dimension, width	18 mm
Outside dimension, height	41 mm
Mounting hole	16.2 mm
Mounting depth	33.5 mm
Installation height	7.5 mm

> mechanical data

Fixing	Threaded ring
Solderability	Yes

The information in this data sheet only contains general descriptions and / or performance features, which may not apply precisely as described to the respective application, and which may change due to further product enhancements. The technical data, illustrations and other information about our products are the mere results of individual technical testing. These descriptions and other product features are only binding if they expressly agreed upon at the time of the conclusion of a binding contract. In all other cases, we reserve the right to make technical changes as well as changes of availability. Pictures and other graphic illustrations are approximations only. All product names may be trademarks or brand names of the RAFI Group or any other sub-supplier of RAFI. The use of such by any third parties for their own purposes may infringe the rights of the respective entity holding those rights.

date: Dec 28, 2024 page: 1/3

RAFI GmbH & Co. KG

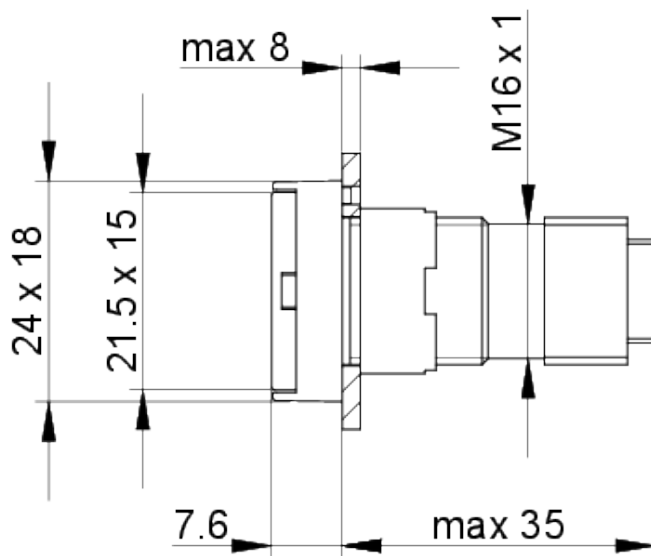
Ravensburger Str. 128-134
88276 Berg / Ravensburg
Germany
www.rafi-group.com,
info.headquarters@rafi-group.com

Terminal on the rear

Solder terminal

drawings

Dimensioned drawing



Mounting hole drawing

