

Signal lamp with integrated neon lamp, 10 mm, round bezel, lamp green, 230 Volt, bezel green, Flat quick-connect terminal 2.8 x 0.8 tin-plated



fields of application

- › Measurement-control-regulation
- › Electrical engineering
- › Mechanical and system engineering
- › Signalling systems
- › Model construction

special features

- › Three shapes: round, square or arrow-shaped
- › Integrated luminous element
- › Filament lamp, 28 V, color: yellow
- › Neon lamp, 230 V, color: red
- › Luminous element neon lamp, 230 V, color: green or blue



description

Signal lamps with integrated filament lamp, neon lamp or luminous element neon lamp, mounting hole diameter 10 mm

technical data

› general

Bezel color	green
Property of bezel / mushroom	transparent
Luminous element color	green
Bezel shape	round
illuminated	Yes
Packaging unit	10 pcs.
net weight	2.4 g
Degree of protection, front side, according to DIN EN 60529	IP40
MOQ order	10 pcs.
RoHS compliant	Yes
REACH compliant	Yes

direct links

- › [RAFI eCatalog](#)

› mounting diameters

Mounting hole	10 mm
Mounting depth	30 mm
Installation height	3 mm
Collar dimension	12.5 mm

› mechanical data

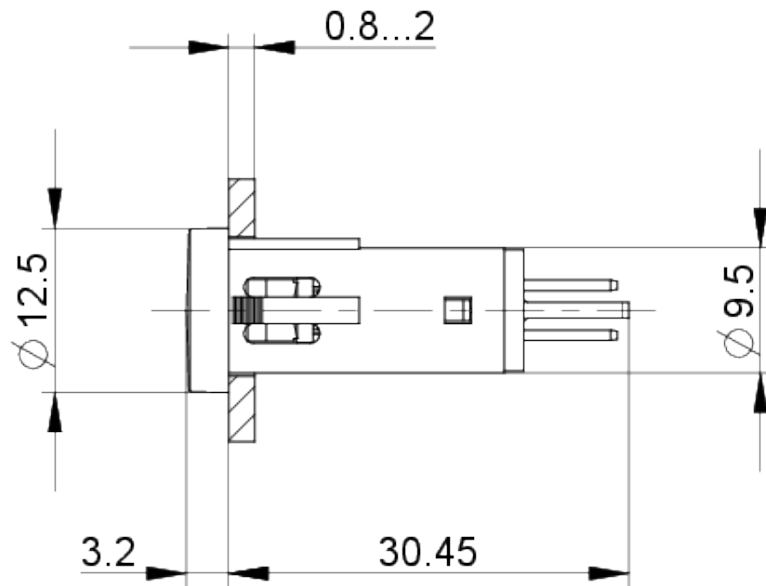
Fixing	Pushing into mounting hole
Terminal on the rear	Flat quick-connect terminal 2.8 x 0.8 tin-plated
Solderability	Yes

› electrical data

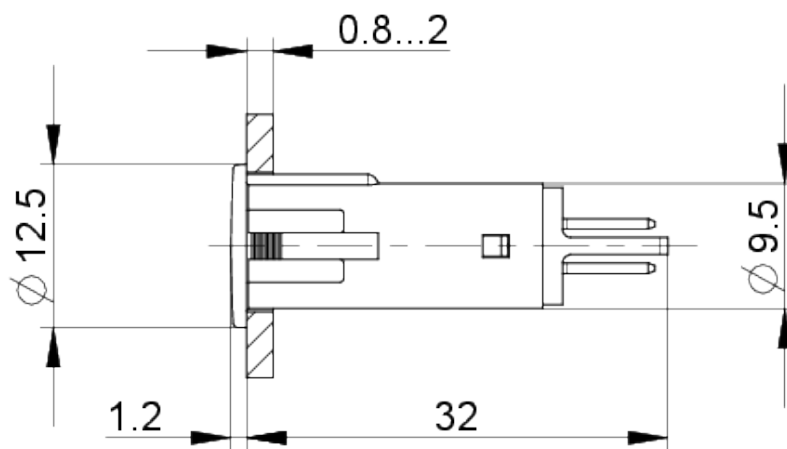
Operating voltage of the luminous element, max. 230 V

drawings

Dimensioned drawing



Dimensioned drawing



Mounting hole drawing

