

Signal lamp with integrated neon lamp, 10 mm, arrow-shaped bezel, 230 Volt, bezel yellow, Flat quick-connect terminal 2.8 x 0.8 tin-plated



fields of application

- Measurement-control-regulation
- Electrical engineering
- Mechanical and system engineering
- Signalling systems
- Model construction

special features

- Three shapes: round, square or arrow-shaped
- Integrated luminous element
- Filament lamp, 28 V, color: yellow
- Neon lamp, 230 V, color: red
- Luminous element neon lamp, 230 V, color: green or blue

description

Signal lamps with integrated filament lamp, neon lamp or luminous element neon lamp, mounting hole diameter 10 mm

technical data

➤ general

Bezel color	yellow
Property of bezel / mushroom	transparent
Bezel shape	arrow-shaped
illuminated	Yes
Packaging unit	10 pcs.
net weight	2.6 g
Degree of protection, front side, according to DIN EN 60529	IP40
MOQ order	10 pcs.
RoHS compliant	Yes
REACH compliant	Yes

➤ mounting diameters

Mounting hole	10 mm
Mounting depth	30 mm
Installation height	3 mm

➤ mechanical data

Fixing	Pushing into mounting hole
Terminal on the rear	Flat quick-connect terminal 2.8 x 0.8 tin-plated

direct links

- [RAFI eCatalog](#)

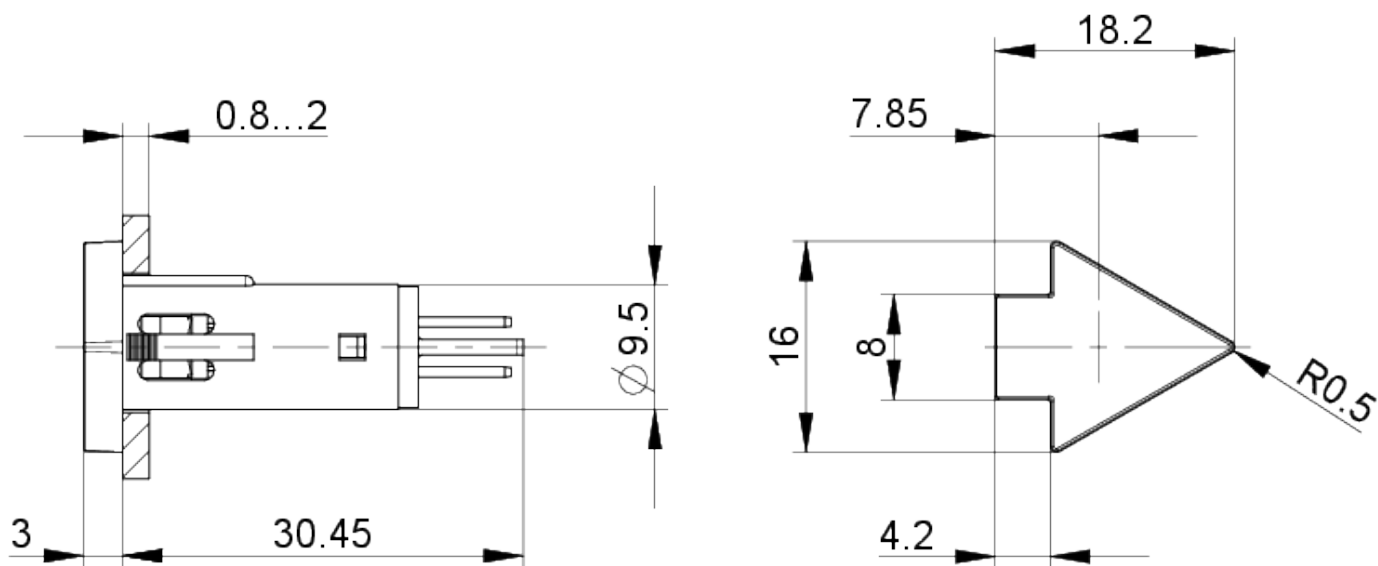
Solderability Yes

> **electrical data**

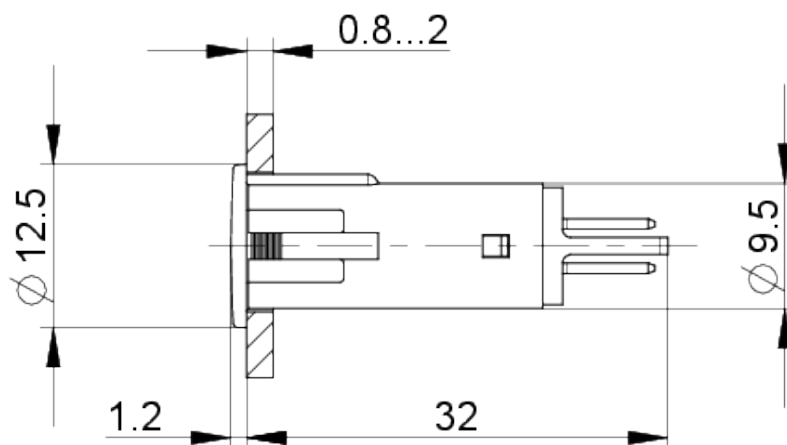
Operating voltage of the luminous element, max. 230 V

drawings

Dimensioned drawing



Dimensioned drawing



Mounting hole drawing

