

## Signal lamp with integrated LED, 5 mm, protruding round bezel, 28 Volt, bezel yellow, Solder terminal



### fields of application

- > Measurement-control-regulation
- > Electrical engineering
- > Mechanical and system engineering
- > Signalling systems
- > Model construction

### description

Signal lamps with integrated LED, mounting hole diameter 5 mm

### technical data

#### > general

Bezel color	yellow
Property of bezel / mushroom	transparent
Bezel shape	round
illuminated	Yes
Packaging unit	10 pcs.
Degree of protection, front side, according to DIN EN 60529	IP40
MOQ order	10 pcs.
RoHS compliant	Yes
REACH compliant	Yes

#### direct links

> [RAFI eCatalog](#)

#### > mounting diameters

Mounting hole	5 mm
Mounting depth	18 mm
Installation height	3.5 mm
Collar dimension	5.8 mm

#### > mechanical data

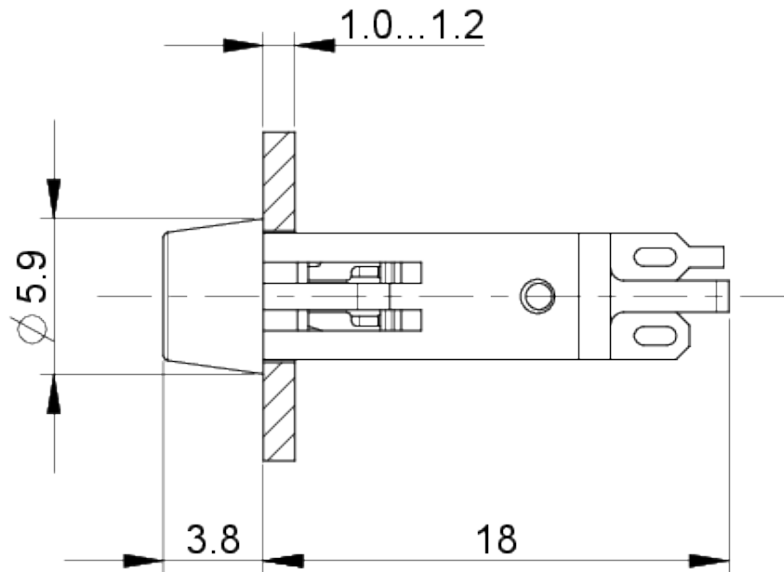
Fixing	Pushing into mounting hole
Terminal on the rear	Solder terminal
Solderability	Yes

#### > electrical data

Operating voltage of the luminous element, min.	24 V
Operating voltage of the luminous element, max.	28 V

**drawings**

**Dimensioned drawing**



**Mounting hole drawing**

