

## Signal lamp with integrated LED, 5 mm, flat round bezel, 28 Volt, bezel slate gray, Solder terminal



### fields of application

- > Measurement-control-regulation
- > Electrical engineering
- > Mechanical and system engineering
- > Signalling systems
- > Model construction



### description

Signal lamps with integrated LED, mounting hole diameter 5 mm

### technical data

#### > general

Bezel color	slate gray
Property of bezel / mushroom	transparent
Bezel shape	round
illuminated	Yes
Packaging unit	10 pcs.
net weight	0.4 g
Degree of protection, front side, according to DIN EN 60529	IP40
MOQ order	10 pcs.
RoHS compliant	Yes
REACH compliant	Yes

#### > mounting diameters

Mounting hole	5 mm
Mounting depth	18 mm
Installation height	1 mm
Collar dimension	5.8 mm

#### > mechanical data

Fixing	Pushing into mounting hole
Terminal on the rear	Solder terminal

#### direct links

- > RAFI eCatalog

Solderability Yes

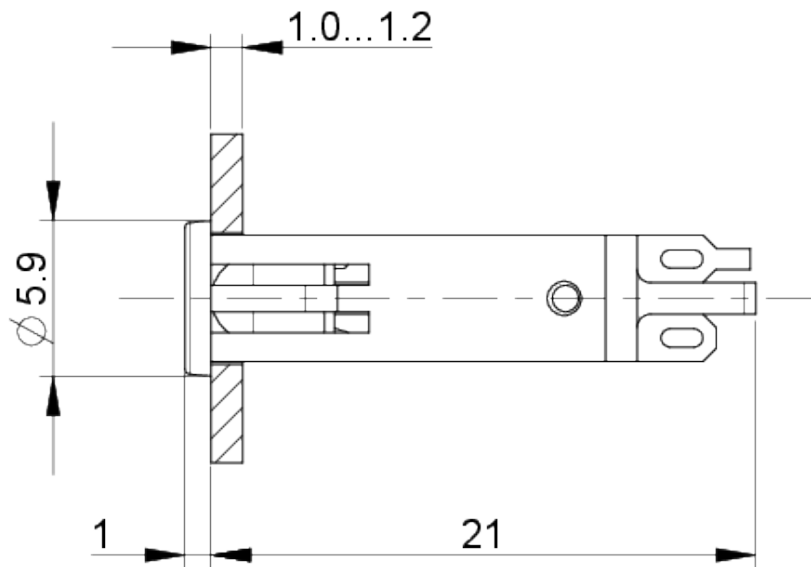
> **electrical data**

Operating voltage of the luminous element, min. 24 V

Operating voltage of the luminous element, max. 28 V

**drawings**

**Dimensioned drawing**



**Mounting hole drawing**

