

Signal lamp with integrated LED, 5 mm, flat triangular bezel, 28 Volt, bezel red, Solder terminal



fields of application

- › Measurement-control-regulation
- › Electrical engineering
- › Mechanical and system engineering
- › Signalling systems
- › Model construction

description

Signal lamps with integrated LED, mounting hole diameter 5 mm

technical data

› general

Bezel color	red
Property of bezel / mushroom	transparent
Bezel shape	triangular
illuminated	Yes
Packaging unit	10 pcs.
Degree of protection, front side, according to DIN EN 60529	IP40
MOQ order	10 pcs.
RoHS compliant	Yes
REACH compliant	Yes

› mounting diameters

Mounting hole	5 mm
Mounting depth	21 mm
Installation height	1 mm

› mechanical data

Fixing	Pushing into mounting hole
Terminal on the rear	Solder terminal
Solderability	Yes

› electrical data

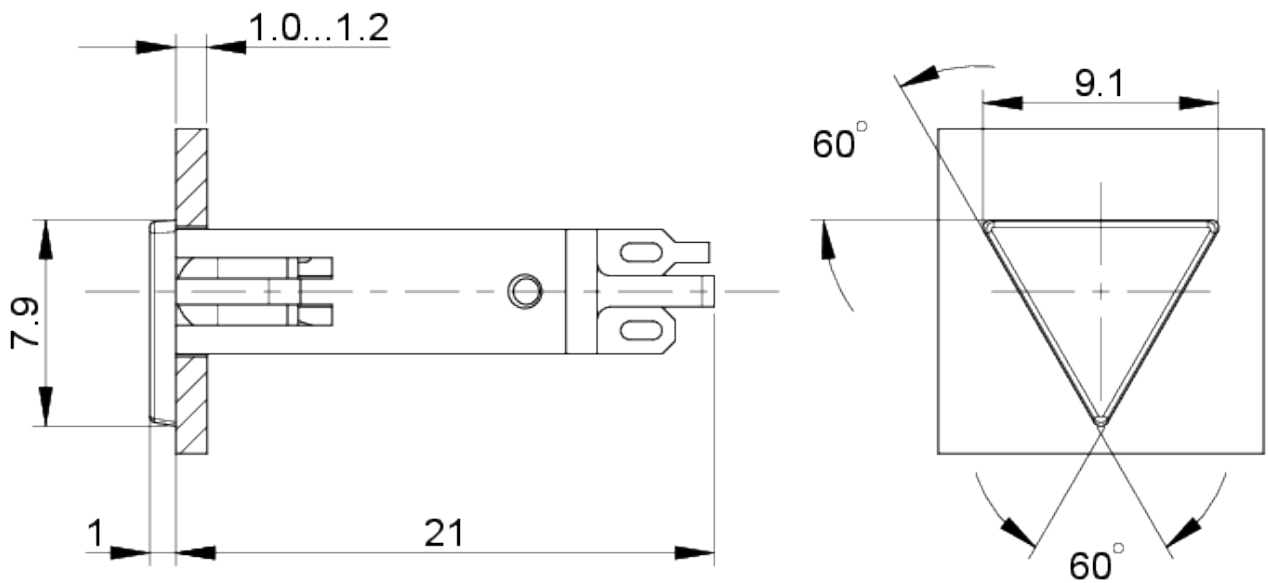
direct links

- › [RAFI eCatalog](#)

Operating voltage of the luminous element, min.	24 V
Operating voltage of the luminous element, max.	28 V

drawings

Dimensioned drawing



Mounting hole drawing

