

# Signal lamp with integrated LED, 10 mm, round bezel, 24-28 V, 28 Volt, bezel transparent, Flat quick-connect terminal 2.8 x 0.8 tin-plated



## fields of application

- > Measurement-control-regulation
- > Electrical engineering
- > Mechanical and system engineering
- > Signalling systems
- > Model construction



## description

Signal lamps with integrated LED, mounting hole diameter 10 mm

## technical data

### > general

Bezel color	transparent
Property of bezel / mushroom	transparent
Bezel shape	round
illuminated	Yes
Packaging unit	10 pcs.
net weight	2.4 g
Degree of protection, front side, according to DIN EN 60529	IP40
MOQ order	50 pcs.
RoHS compliant	Yes
REACH compliant	Yes

### > mounting diameters

Outside dimension, length	12.5 mm
Outside dimension, width	12.5 mm
Outside dimension, height	33.7 mm
Mounting hole	10 mm
Mounting depth	30.5 mm
Installation height	3.2 mm
Collar dimension	12.5 mm

### direct links

- > [RAFI eCatalog](#)

**> mechanical data**

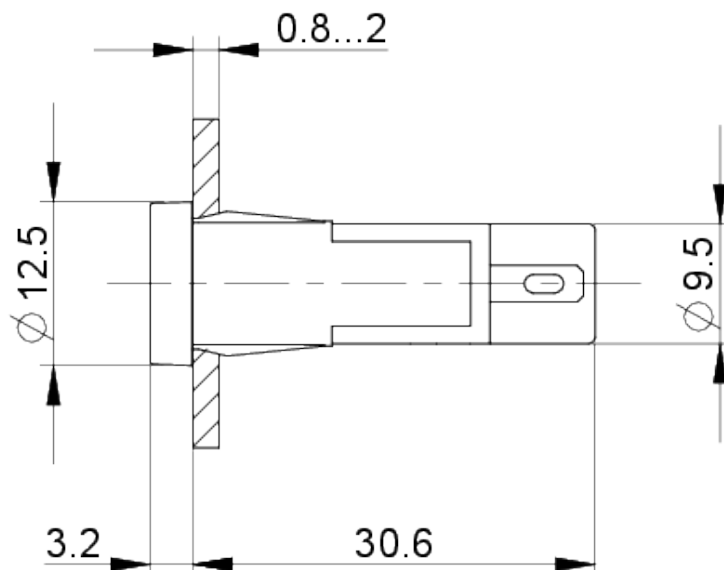
Fixing	Pushing into mounting hole
Solderability	Yes
Terminal on the rear	Flat quick-connect terminal 2.8 x 0.8 tin-plated

**> electrical data**

Operating voltage of the luminous element, min.	24 V
Operating voltage of the luminous element, max.	28 V
Protective diode	No

**drawings**

**Dimensioned drawing**



**Mounting hole drawing**

