

Signal lamp with integrated LED, 10 mm, round bezel, 24-28 V, 28 Volt, bezel blue, Flat quick-connect terminal 2.8 x 0.8 tin-plated



fields of application

- > Measurement-control-regulation
- > Electrical engineering
- > Mechanical and system engineering
- > Signalling systems
- > Model construction



description

Signal lamps with integrated LED, mounting hole diameter 10 mm

technical data

> general

Bezel color	blue
Property of bezel / mushroom	transparent
Bezel shape	round
illuminated	Yes
Packaging unit	10 pcs.
net weight	2.4 g
Degree of protection, front side, according to DIN EN 60529	IP40
MOQ order	50 pcs.
RoHS compliant	Yes
REACH compliant	Yes

direct links

- > [RAFI eCatalog](#)

> mounting diameters

Outside dimension, length	12.5 mm
Outside dimension, width	12.5 mm
Outside dimension, height	33.7 mm
Mounting hole	10 mm
Mounting depth	30.5 mm
Installation height	3.2 mm
Collar dimension	12.5 mm

> mechanical data

The information in this data sheet only contains general descriptions and / or performance features, which may not apply precisely as described to the respective application, and which may change due to further product enhancements. The technical data, illustrations and other information about our products are the mere results of individual technical testing. These descriptions and other product features are only binding if they expressly agreed upon at the time of the conclusion of a binding contract. In all other cases, we reserve the right to make technical changes as well as changes of availability. Pictures and other graphic illustrations are approximations only. All product names may be trademarks or brand names of the RAFI Group or any other sub-supplier of RAFI. The use of such by any third parties for their own purposes may infringe the rights of the respective entity holding those rights.

date: Nov 27, 2024 page: 1/3

RAFI GmbH & Co. KG

Ravensburger Str. 128-134
88276 Berg / Ravensburg
Germany
www.rafi-group.com,
info.headquarters@rafi-group.com

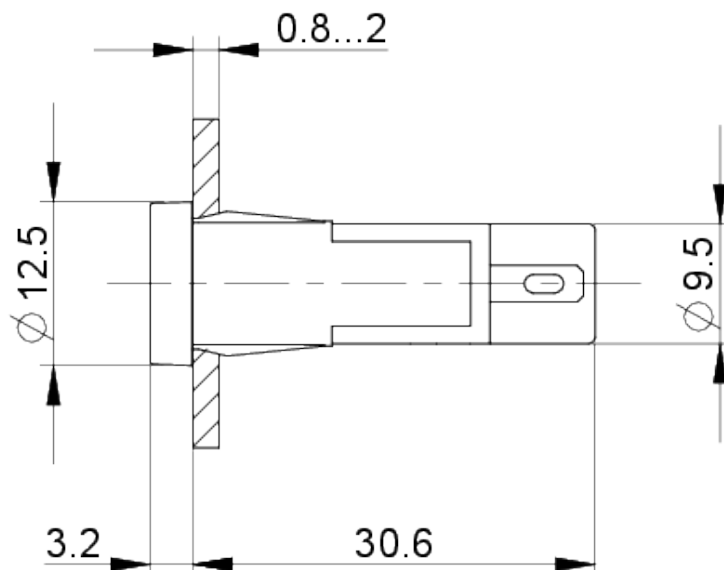
Fixing	Pushing into mounting hole
Solderability	Yes
Terminal on the rear	Flat quick-connect terminal 2.8 x 0.8 tin-plated

> electrical data

Operating voltage of the luminous element, min.	24 V
Operating voltage of the luminous element, max.	28 V
Protective diode	Yes

drawings

Dimensioned drawing



Mounting hole drawing

