

RAFIX 22 FS⁺, signal indicator, high bezel, square collar, bezel blue

DISCONTINUED


fields of application

- › Measurement-control-regulation
- › Electrical engineering
- › Mechanical and system engineering
- › Signalling systems
- › Vehicle construction
- › Handheld terminals
- › Industrial robots

special features

- › Lighting attachment
- › Illumination with SMT LED
- › Low installation depth 9.2 mm (PCB) or 27 mm (QC with LED clip)
- › Connection types: printed circuit board connection (PCB) or plug-in connection (QC)
- › Degree of protection: IP 65 front side



description

RAFIX control devices are defined at RAFI as modular elements, consisting of an actuating element, if necessary a coupling and an individual contact or lighting unit.

Actuating elements (such as pushbuttons, emergency stop actuators, etc.) have the intended tactility, reset and function only when assembled with the appropriate switching elements.

Flat variants can be labelled on request. The illumination status of the high variants is also clearly visible from the side.

technical data

› general

Disassembly possible	no
Bezel color	blue
Property of bezel / mushroom	translucent
Collar shape	square
Operating temperature, min.	-25 °C
Operating temperature, max.	70 °C
Storage temperature, min.	-40 °C
Storage temperature, max.	80 °C
illuminated	Yes
Packaging	Box
Packaging unit	10 pcs.
Degree of protection, front side, according to DIN EN 60529	IP65
UL Enclosure Type Rating front side	type 1 type 4X indoor
Environment resistance	IEC 60068-2-14 IEC 60068-2-30 IEC 60068-2-33 IEC 60068-2-78

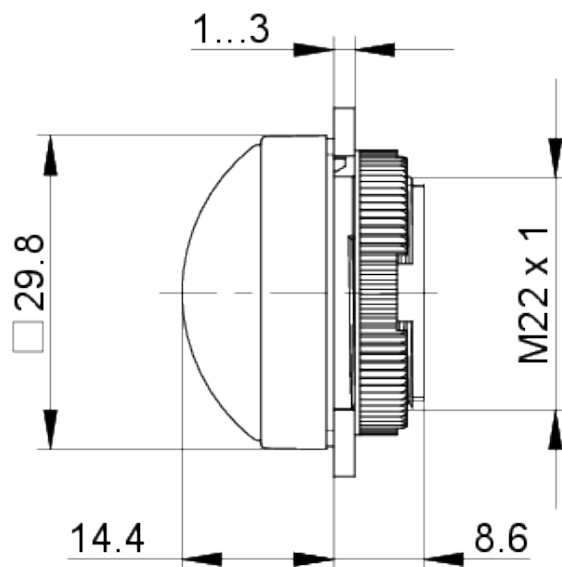
direct links

- › [RAFI eCatalog](#)

Salt-spray resistance according to standard	IEC 60068-2-11
MOQ order	10 pcs.
RoHS compliant	Yes
REACH compliant	Yes
> mounting diameters	
Outside dimension, length	29.8 mm
Outside dimension, width	29.8 mm
Outside dimension, height	23 mm
Mounting hole	22.3 mm
Mounting depth	9.2 mm
Installation height	14.2 mm
Grid, min.	30 x 30 mm
Collar dimension	29,8 x 29,8 mm
> mechanical data	
Fixing	Threaded ring
Threaded ring torque, max.	1.2 Nm

drawings

Dimensioned drawing



System drawing



System drawing



Mounting hole drawing



acc. to IEC 60947-5-1

front panel drawing

