

## RF 15 R, gold, low, spot illumination 1 LED, 2.9 ± 0.6 N, lamp green, 1 NO



### fields of application

- › Measurement-control-regulation
- › Mechanical and system engineering
- › Automotive
- › Electro-medical

### special features

- › Gold contacts, reliable switching with low currents
- › Optional spot illumination
- › Round plunger / key switch shape
- › Round cut-outs in the front panel
- › Narrow key grid of 15.24 mm possible
- › Overall height: 9.7 mm or 12.5 mm
- › Terminal technology: THT



### description

The RF 15 R gold tactile switches have a 15 x 15 mm edge length, reliable gold contacts and a noticeable click. They are used in flat data entry keyboards under overlays or under keycaps, such as RAFI RK 90 keycaps.

The round pressure pad of the RF 15 R requires round cut-outs in the front panel. These enable a narrow keyboard grid of just 15.24 mm with sufficiently large adhesive strips between the individual key switches. The overlay, which we recommend embossing above the key switches, can be glued onto these strips of glue.

### technical data

#### › general

|  |                         |
|--|-------------------------|
| Luminous element color                       | green                   |
| Operating temperature, min.                  | -25 °C                  |
| Operating temperature, max.                  | 70 °C                   |
| Storage temperature, min.                    | -25 °C                  |
| Storage temperature, max.                    | 70 °C                   |
| illuminated                                  | Yes                     |
| Luminous elements                            | Spot illumination 1 LED |
| Soldering time for manual soldering, max.    | 5 sec                   |
| Soldering temperature for manual soldering   | 350 °C                  |
| Soldering temperature for wave soldering     | 260 °C                  |
| Soldering                                    | Manual / wave           |
| Solder heat resistance according to standard | DIN EN 60068-2-20       |
| Packaging                                    | Tube                    |

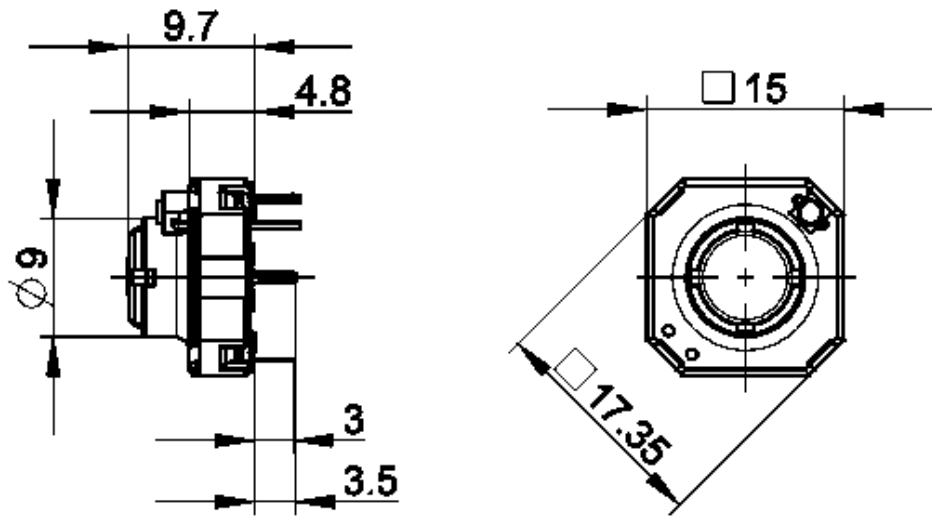
#### direct links

- › [RAFI eCatalog](#)

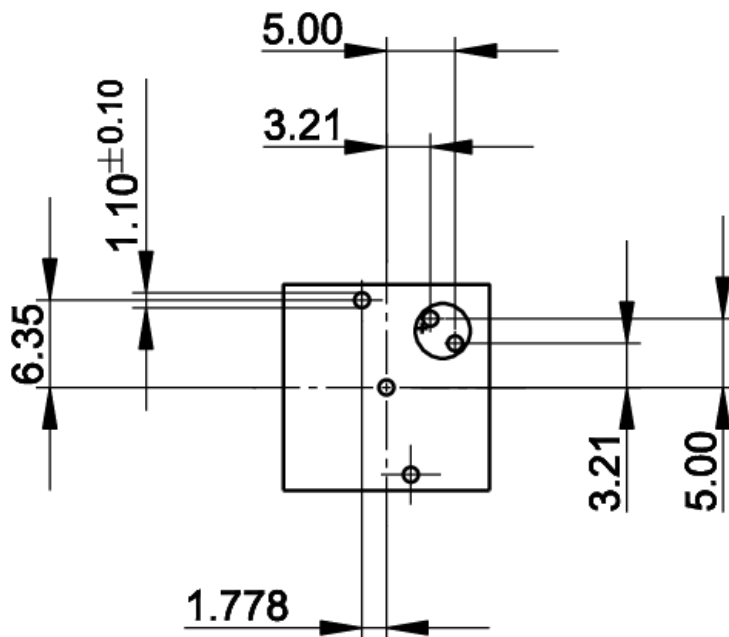
|   |                            |
|---|----------------------------|
| Packaging unit                                  | 32 pcs.                    |
| net weight                                      | 2.4 g                      |
| Operating life                                  | 1,000,000 cycles           |
| B10   | 1,300,000 cycles           |
| MOQ order                                       | 32 pcs.                    |
| RoHS compliant                                  | Yes                        |
| REACH compliant                                 | Yes                        |
| <b>&gt; mounting diameters</b>                  |                            |
| Outside dimension, length                       | 15 mm                      |
| Outside dimension, width                        | 15 mm                      |
| Outside dimension, height                       | 9.7 mm                     |
| Installation height                             | 9.7 mm                     |
| Grid, min.                                      | 15.24 mm                   |
| <b>&gt; mechanical data</b>                     |                            |
| Actuation function                              | momentary contact function |
| Operating force, min.                           | 2.9 ± 0.6 N                |
| Switching travel                                | 0.5 <sup>+0.3</sup> mm     |
| Contact function                                | 1 NO                       |
| Contact system                                  | Snap-action contact        |
| Contact material                                | Gold                       |
| Fixing  | Soldering                  |
| Solderability                                   | Yes                        |
| Terminal on the rear                            | THT                        |
| <b>&gt; electrical data</b>                     |                            |
| Operating voltage of the luminous element, min. | 2 V                        |
| Operating voltage of the luminous element, max. | 5 V                        |
| Rated voltage, min.                             | 0.02 V                     |
| Rated voltage, max.                             | 35 V                       |
| Operating current of the luminous element, max. | 30 mA                      |
| Rated current, min.                             | 0.00001 A                  |
| Rated current, max.                             | 0.1 A                      |
| Rated power, max.                               | 2 W                        |
| dropping resistor                               | no                         |

**drawings**

**Dimensioned drawing**

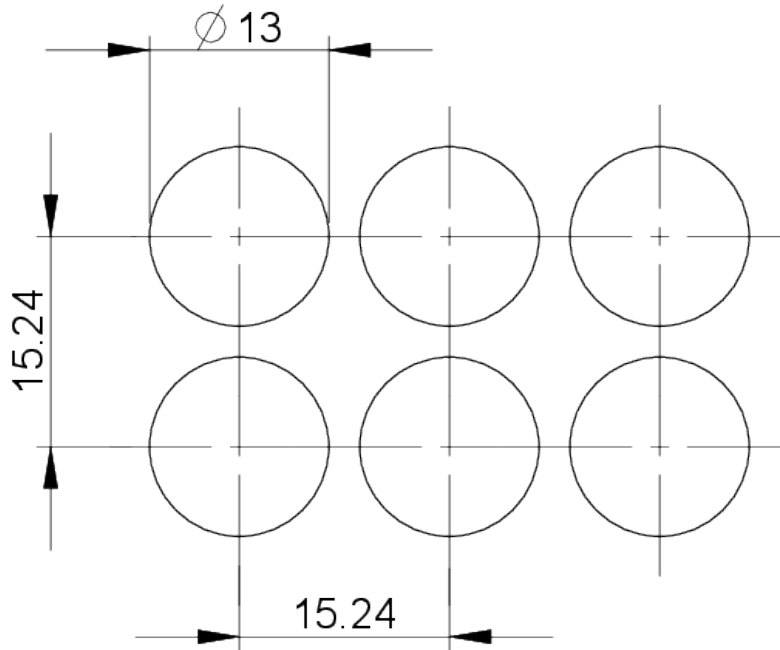


**PCB drawing**



Button with 1x point illumination

front panel drawing



front panel drawing

