

## RF 15, indicator field, full illumination, lamp green, bezel green



### fields of application

- › Measurement-control-regulation
- › Mechanical and system engineering
- › Automotive
- › Electro-medical

### special features

- › Full illumination with 1 LED



### description

RF 15 indicator fields have a 15 x 15 mm edge length and are used under overlays in flat data entry keyboards as pure indicators.

### technical data

#### › general

Bezel color	green
Luminous element color	green
Operating temperature, min.	-25 °C
Operating temperature, max.	70 °C
Storage temperature, min.	-25 °C
Storage temperature, max.	70 °C
illuminated	Yes
Luminous elements	Full illumination LED
Soldering time for manual soldering, max.	5 sec
Soldering temperature for manual soldering	350 °C
Soldering temperature for wave soldering	260 °C
Soldering	Manual / wave
Solder heat resistance according to standard	DIN EN 60068-2-20
Packaging	Tube
Packaging unit	32 pcs.
net weight	2.1 g
MOQ order	32 pcs.
RoHS compliant	Yes
REACH compliant	Yes

#### direct links

- › [RAFI eCatalog](#)

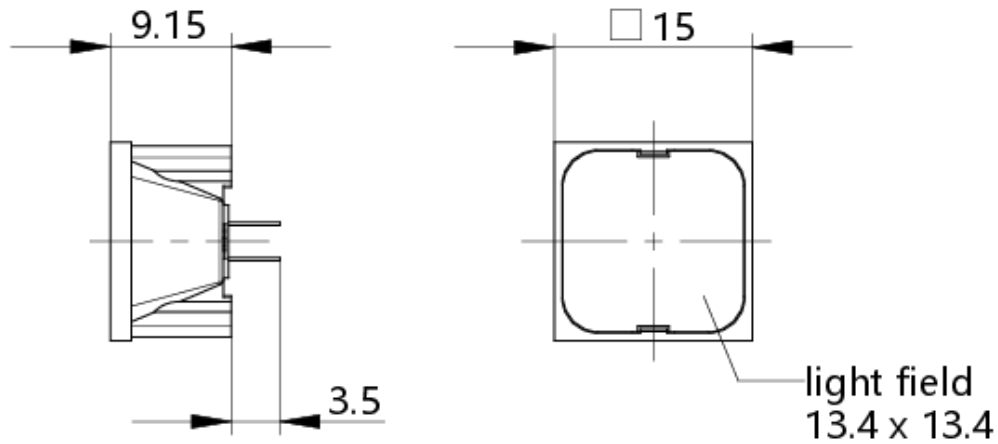
#### › mounting diameters

Outside dimension, length	15 mm
Outside dimension, width	15 mm
Outside dimension, height	9.15 mm

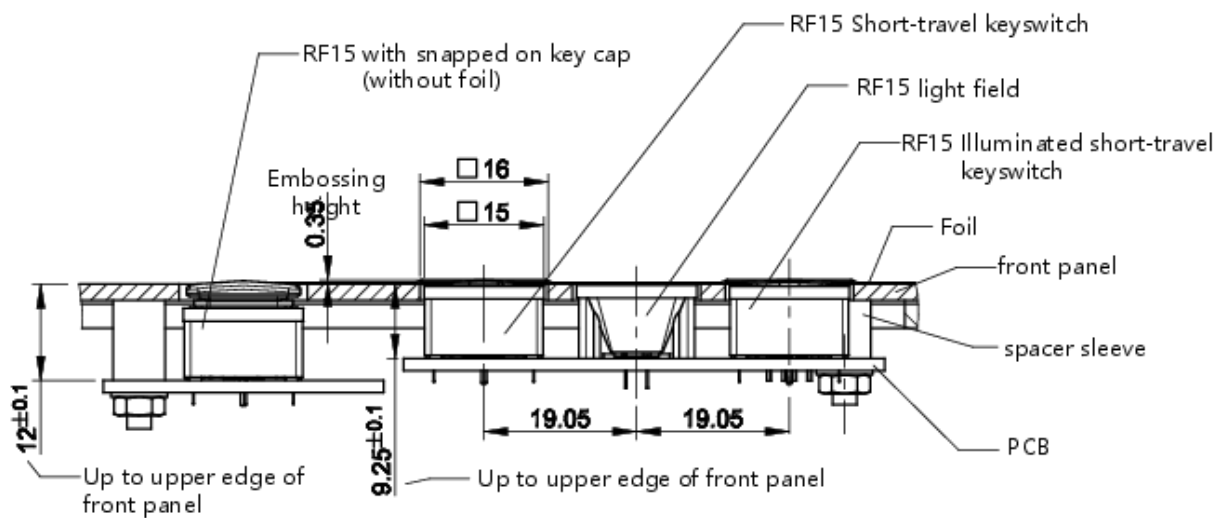
Installation height	9.15 mm
Grid, min.	19.05 mm
<b>&gt; mechanical data</b>	
Switching travel	0.5 <sup>+0.3</sup> mm
Fixing	Soldering
Solderability	Yes
Terminal on the rear	THT
<b>&gt; electrical data</b>	
Operating voltage of the luminous element, min.	2 V
Operating voltage of the luminous element, max.	5 V
Operating current of the luminous element, max.	30 mA
dropping resistor	no

**drawings**

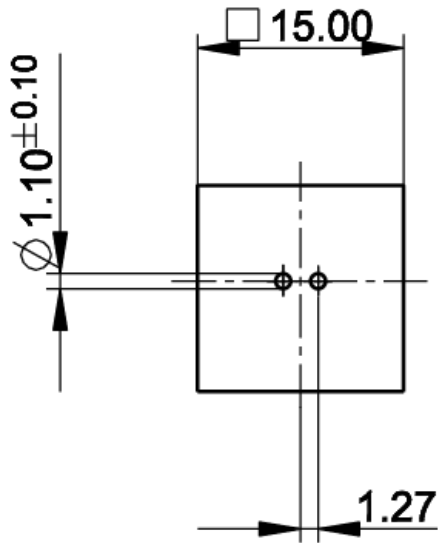
**Dimensioned drawing**



**System drawing**



PCB drawing



light field

front panel drawing

