

## MICON 5, indicator field plunger, L 18 mm, 1-part



### fields of application

- > Measurement-control-regulation
- > Mechanical and system engineering
- > Automotive
- > Signalling systems
- > Vehicle construction
- > Handheld terminals

### description

The wide selection of standard plungers in different shapes and colors guarantees a versatile range of applications for the MICON 5 tactile switch.

### technical data

#### > general

Installation points	1 pcs.
illuminated	Yes
Packaging unit	100 pcs.
net weight	0.3 g
MOQ order	100 pcs.
RoHS compliant	Yes
REACH compliant	Yes

#### direct links

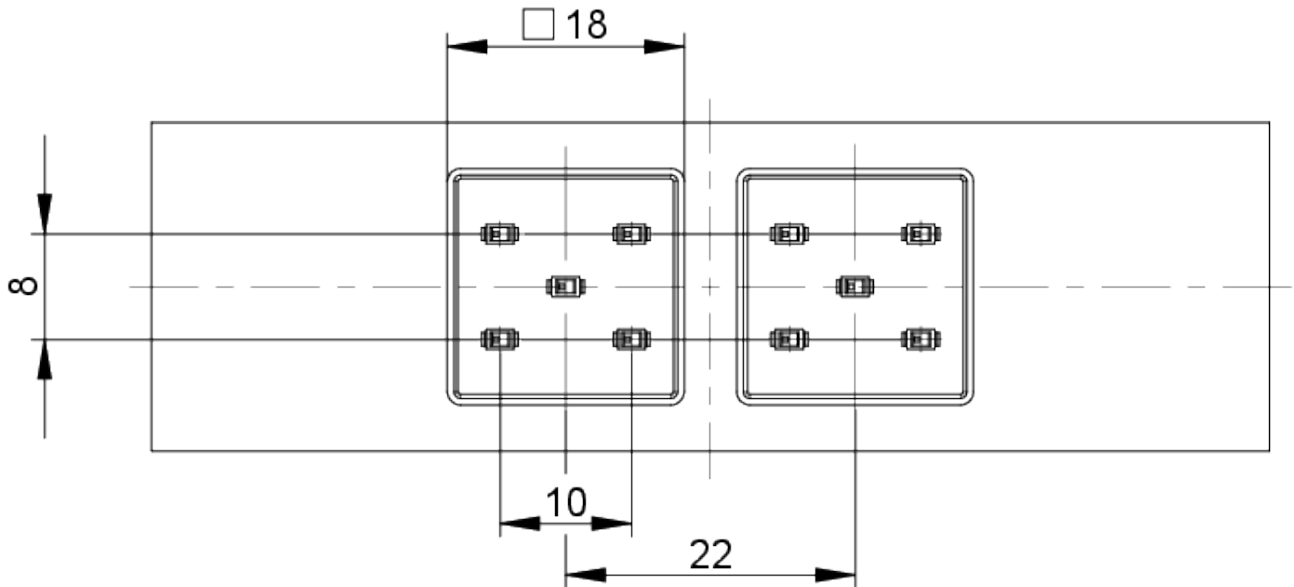
- > [RAFI eCatalog](#)

#### > mounting diameters

Outside dimension, length	18 mm
Outside dimension, width	18 mm
Outside dimension, height	10.45 mm
Total height GH	9.25 mm

**drawings**

**Dimensioned drawing**



**System drawing**

