

RAFIX FS technology, short-stroke adapter, 2.5mm



fields of application

- > Measurement-control-regulation
- > Electrical engineering
- > Mechanical and system engineering
- > Signalling systems
- > Vehicle construction
- > Agricultural and forestry machinery
- > Construction machinery
- > Handheld terminals
- > Industrial robots



description

The short-travel adapter can be combined with all MICON 5 standard models. The operating life specification applies in combination with MICON 5 variant 1.14.002.101/0000 and 1.14.005.101/0000.

technical data

> general

illuminated	Yes
Packaging unit	10 pcs.
Operating life	1,000,000 cycles
B10	1,300,000 cycles
MOQ order	10 pcs.
RoHS compliant	Yes
REACH compliant	Yes

direct links

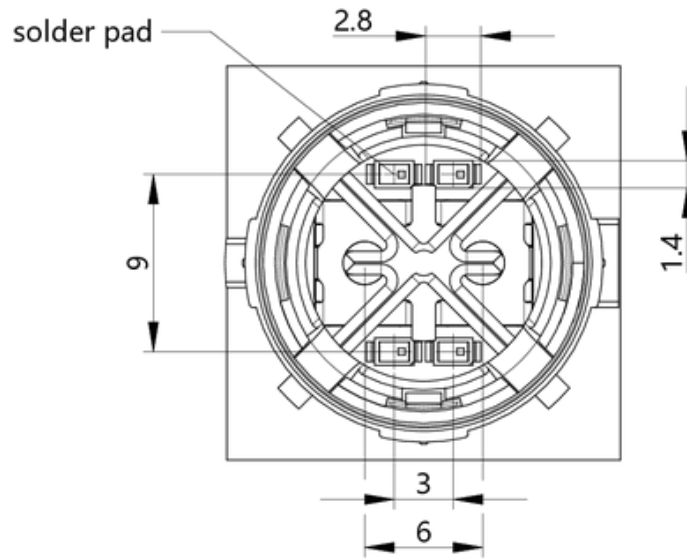
- > [RAFI eCatalog](#)

> mounting diameters

Outside dimension, length	20 mm
Outside dimension, width	20 mm
Outside dimension, height	13.9 mm

drawings

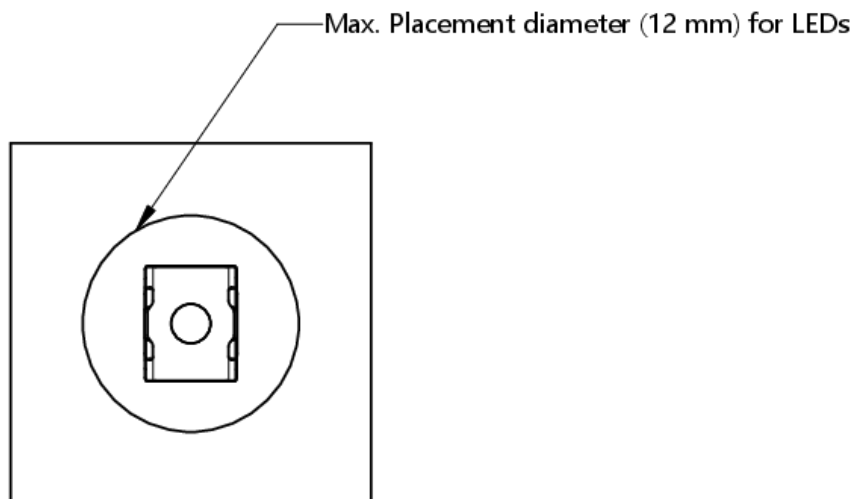
PCB drawing



The maximum height of the LED must not exceed 2.4mm

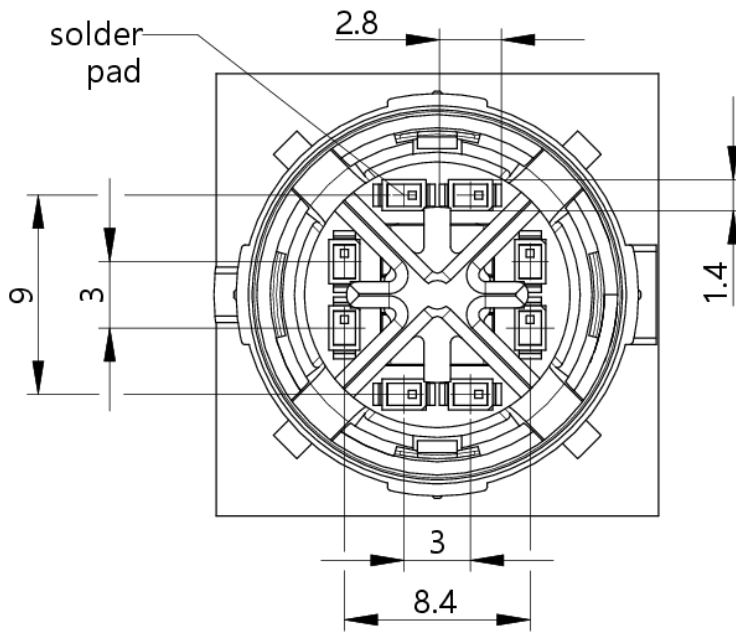
The MICON 5 with part number: 1.14.002.201/0000 or 1.14.005.201/0000 must always be used for a redundant setup

PCB drawing



The maximum height of the LED must not exceed 2.4mm

PCB drawing



The maximum height of the LED must not exceed 2.4mm