

MICON 5, square plunger 11 mm, mechanical stop limit, white, GH 12.5 mm



fields of application

- > Measurement-control-regulation
- > Mechanical and system engineering
- > Automotive
- > Signalling systems
- > Vehicle construction
- > Handheld terminals

description

The wide selection of standard plungers in different shapes and colors guarantees a versatile range of applications for the MICON 5 tactile switch.

technical data

> general

| | |
|-----------------|----------|
| Bezel color | white |
| illuminated | Yes |
| Packaging unit | 100 pcs. |
| net weight | 0.7 g |
| MOQ order | 100 pcs. |
| RoHS compliant | Yes |
| REACH compliant | Yes |

direct links

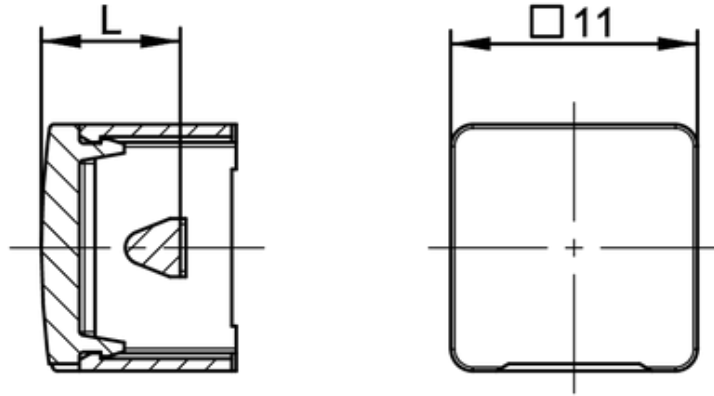
- > [RAFI eCatalog](#)

> mounting diameters

| | |
|---------------------------|----------|
| Outside dimension, length | 11.65 mm |
| Outside dimension, width | 11 mm |
| Outside dimension, height | 11 mm |
| Plunger length L | 9.15 mm |
| Support height A | 3.35 mm |
| Total height GH | 12.5 mm |

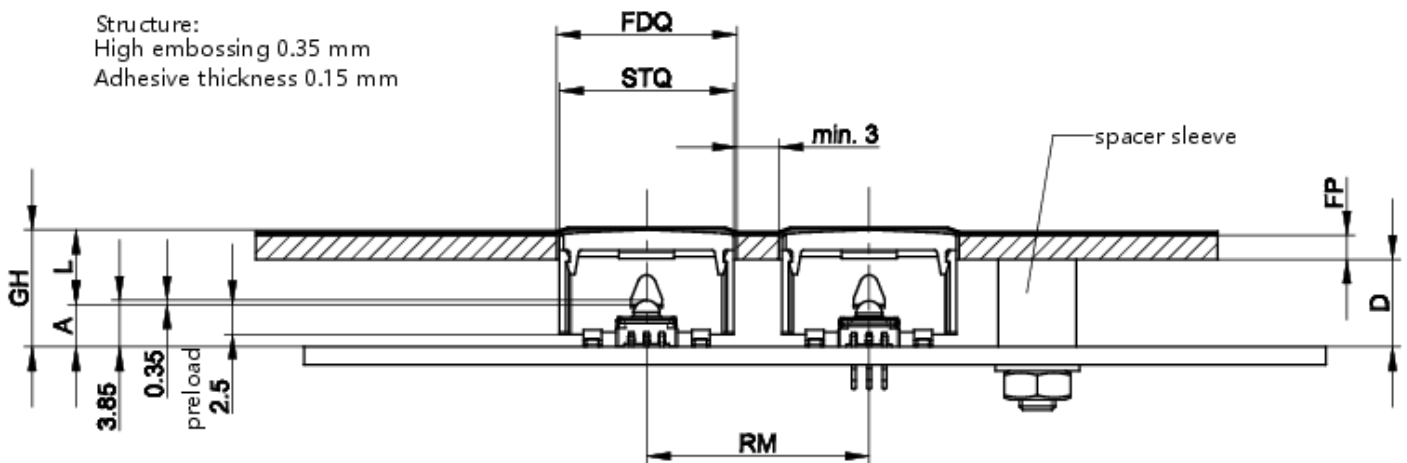
drawings

Dimensioned drawing



System drawing

Structure:
High embossing 0.35 mm
Adhesive thickness 0.15 mm



$GH=A+L$

PCB drawing

View without front panel, foil and screen

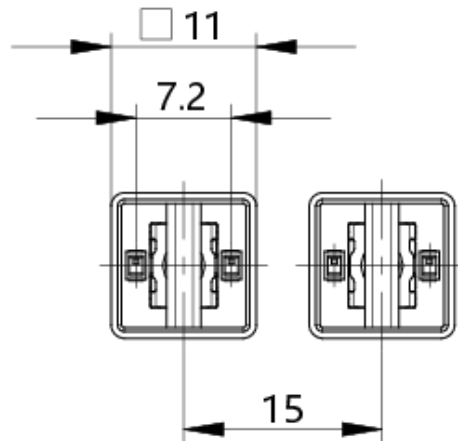


Illustration with 2 LED OSRAM LO M676-Q1R1-24