

RAFIX 22 FS⁺, RAMO 22, blanking caps, slate gray



description

Blanking plugs are used for installation in mounting holes in the front panel that are not required.

The design of the product is adapted to the "RAFIX 22 FS+" series as well as to "RAMO 20" and fits harmoniously into the overall appearance of the front panel.

technical data

> general

| | |
|----------------------------------------------------------------|------------|
| Bezel color | slate gray |
| Collar shape | round |
| Operating temperature, min. | -25 °C |
| Operating temperature, max. | 70 °C |
| Storage temperature, min. | -40 °C |
| Storage temperature, max. | 80 °C |
| illuminated | No |
| Packaging unit | 10 pcs. |
| net weight | 6 g |
| Degree of protection, front side, according to DIN EN 60529 | IP65 |
| MOQ order | 10 pcs. |
| RoHS compliant | Yes |
| REACH compliant | Yes |

direct links

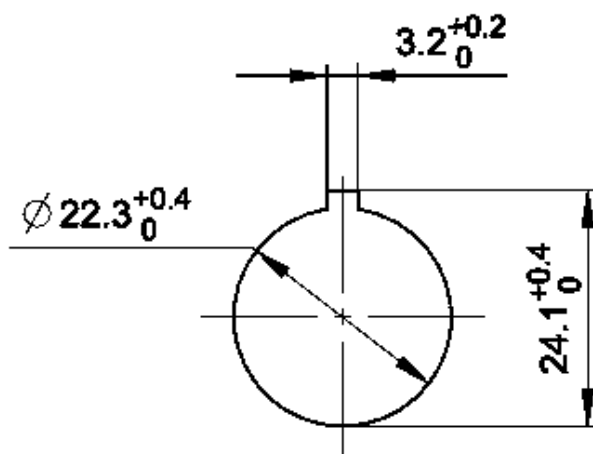
> [RAFI eCatalog](#)

> mounting diameters

| | |
|---------------------------|---------|
| Outside dimension, length | 29.8 mm |
| Outside dimension, width | 29.8 mm |
| Outside dimension, height | 12.7 mm |
| Mounting hole | 22.3 mm |

> mechanical data

| | |
|----------------------------|---------------|
| Fixing | Threaded ring |
| Threaded ring torque, max. | 1.2 Nm |

drawings**Mounting hole drawing**

acc. to IEC 60947-5-1