

## RAFIX 22 FS<sup>+</sup>, RAMO 22, blanking caps, slate gray



### description

Blanking plugs are used for installation in mounting holes in the front panel that are not required.

The design of the product is adapted to the "RAFIX 22 FS+" series as well as to "RAMO 20" and fits harmoniously into the overall appearance of the front panel.

### technical data

#### > general

Bezel color	slate gray
Collar shape	square
Operating temperature, min.	-25 °C
Operating temperature, max.	70 °C
Storage temperature, min.	-40 °C
Storage temperature, max.	80 °C
illuminated	No
Packaging unit	10 pcs.
net weight	6 g
Degree of protection, front side, according to DIN EN 60529	IP65
MOQ order	10 pcs.
RoHS compliant	Yes
REACH compliant	Yes

#### direct links

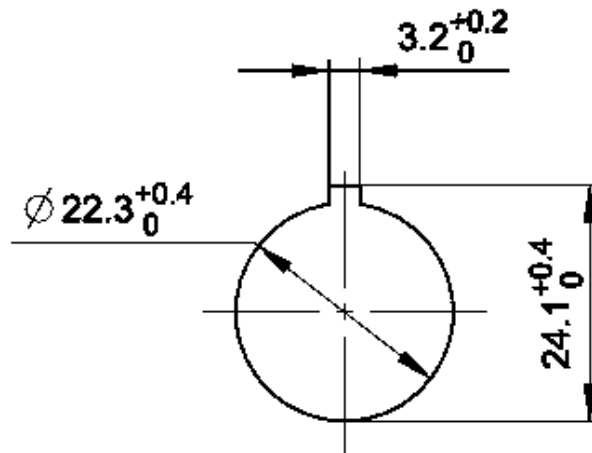
> [RAFI eCatalog](#)

#### > mounting diameters

Outside dimension, length	29.8 mm
Outside dimension, width	29.8 mm
Outside dimension, height	12.7 mm
Mounting hole	22.3 mm

#### > mechanical data

Fixing	Threaded ring
Threaded ring torque, max.	1.2 Nm

**drawings****Mounting hole drawing**

acc. to IEC 60947-5-1