

MICON 5, round plunger 14.5 mm, GH 5.55 mm



fields of application

- > Measurement-control-regulation
- > Mechanical and system engineering
- > Automotive
- > Signalling systems
- > Vehicle construction
- > Handheld terminals

description

The wide selection of standard plungers in different shapes and colors guarantees a versatile range of applications for the MICON 5 tactile switch.

technical data

> general

Color	white
Collar shape	round
illuminated	No
Packaging unit	500 pcs.
net weight	0.3 g
MOQ order	1,000 pcs.
RoHS compliant	Yes
REACH compliant	Yes
Component material	Plastic

direct links

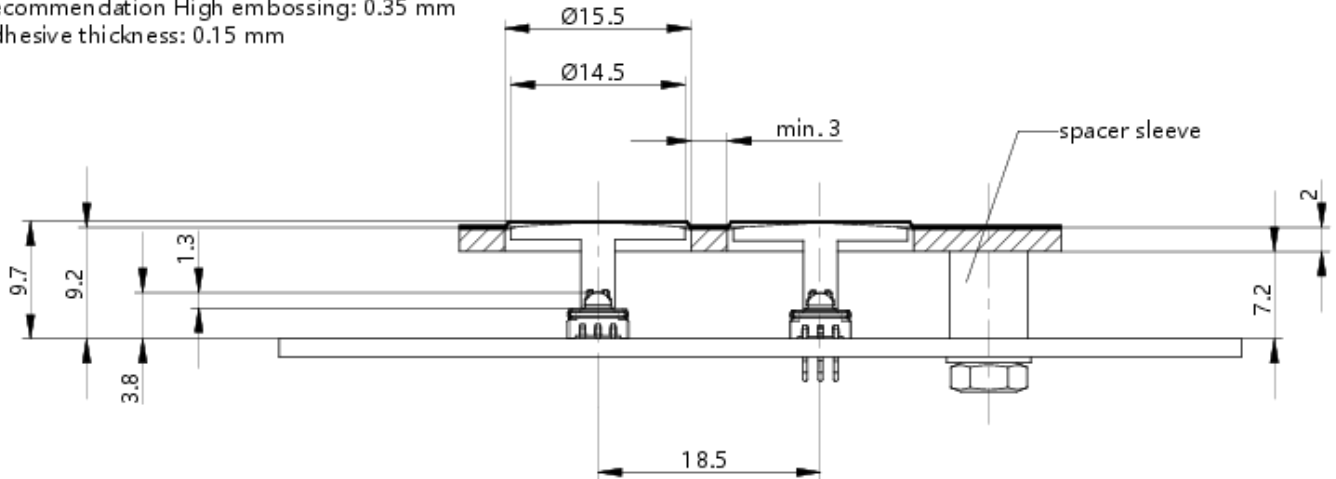
- > [RAFI eCatalog](#)

> mounting diameters

Outside dimension, length	3 mm
Outside dimension, width	14.5 mm
Outside dimension, height	14.5 mm
Plunger length L	3 mm
Support height A	2.55 (SMT) / 2.5 (THT) mm
Total height GH	5.55 mm

System drawing

Recommendation High embossing: 0.35 mm
Adhesive thickness: 0.15 mm



System drawing

suggestion
high embossing: 0.35 mm
adhesive thickness: 0.15

