

## MICON 5, round plunger 14.5 mm, GH 12.5 mm



### fields of application

- > Measurement-control-regulation
- > Mechanical and system engineering
- > Automotive
- > Signalling systems
- > Vehicle construction
- > Handheld terminals

### description

The wide selection of standard plungers in different shapes and colors guarantees a versatile range of applications for the MICON 5 tactile switch.

### technical data

#### > general

Color	white
Collar shape	round
illuminated	No
Packaging unit	500 pcs.
net weight	0.3 g
MOQ order	1,000 pcs.
RoHS compliant	Yes
REACH compliant	Yes
Component material	Plastic

#### direct links

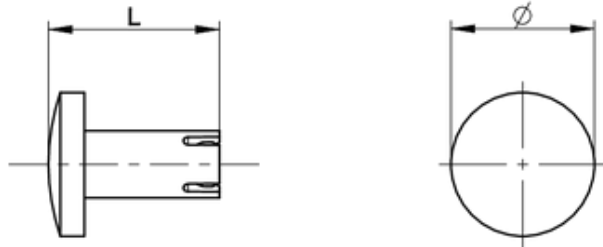
- > [RAFI eCatalog](#)

#### > mounting diameters

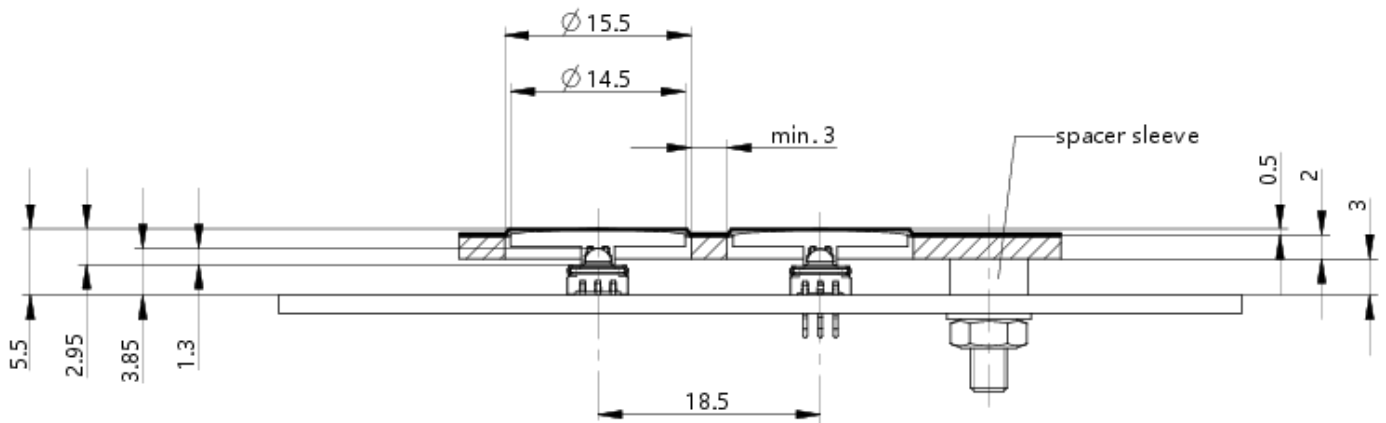
Outside dimension, length	9.95 mm
Outside dimension, width	14.5 mm
Outside dimension, height	14.5 mm
Plunger length L	9.95 mm
Support height A	2.55 (SMT) / 2.5 (THT) mm
Total height GH	12.5 mm

**drawings**

**Dimensioned drawing**

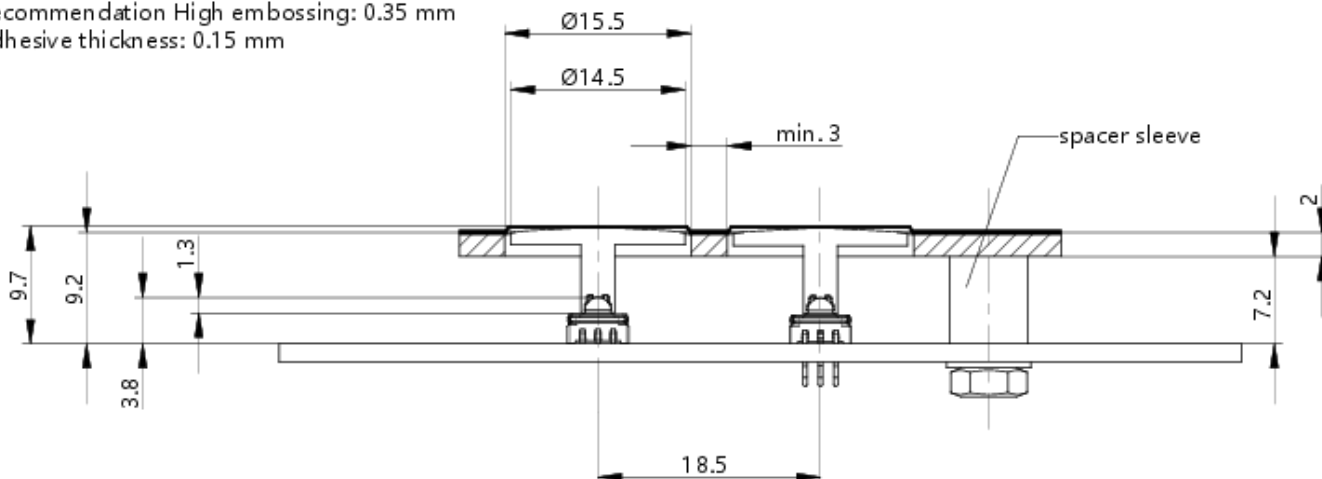


**System drawing**



**System drawing**

Recommendation High embossing: 0.35 mm  
Adhesive thickness: 0.15 mm



**System drawing**

suggestion  
high embossing: 0.35 mm  
adhesive thickness: 0.15 mm

