

RF 15 N, round plunger 10 mm, L 18.25 mm



fields of application

- > Measurement-control-regulation
- > Mechanical and system engineering
- > Automotive
- > Signalling systems
- > Vehicle construction
- > Handheld terminals

description

The wide selection of standard rams in different heights guarantees the versatility of the RF 15.

technical data

> general

illuminated	No
Packaging unit	500 pcs.
MOQ order	500 pcs.
RoHS compliant	Yes
REACH compliant	Yes

direct links

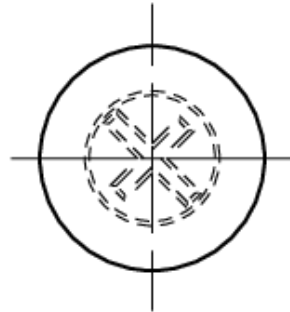
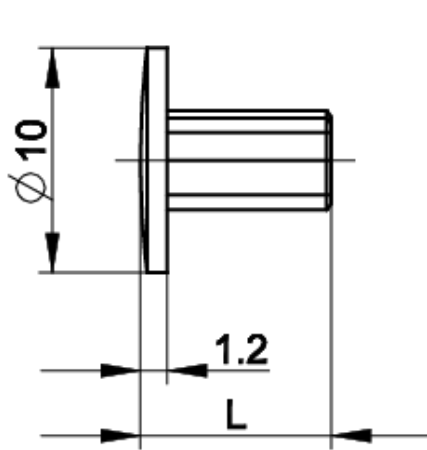
- > [RAFI eCatalog](#)

> mounting diameters

Outside dimension, length	18.25 mm
Outside dimension, width	10 mm
Outside dimension, height	10 mm
Plunger length L	18.25 mm

drawings

Dimensioned drawing



L = Plunger length
 L = Total construction height button -4.25 mm