

RF 15 N, round plunger 10 mm, L 8.75 mm



fields of application

- > Measurement-control-regulation
- > Mechanical and system engineering
- > Automotive
- > Signalling systems
- > Vehicle construction
- > Handheld terminals

description

The wide selection of standard rams in different heights guarantees the versatility of the RF 15.

technical data

> general

| | |
|-----------------|----------|
| illuminated | No |
| Packaging unit | 500 pcs. |
| MOQ order | 500 pcs. |
| RoHS compliant | Yes |
| REACH compliant | Yes |

direct links

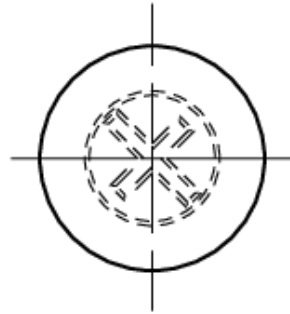
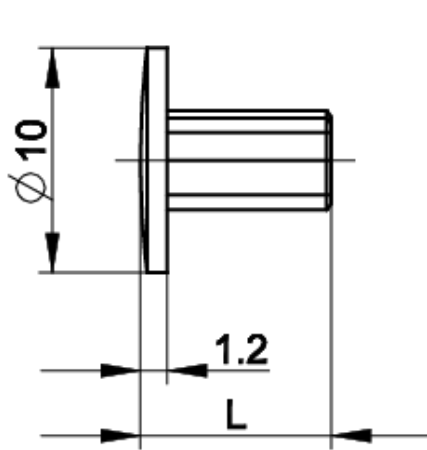
- > [RAFI eCatalog](#)

> mounting diameters

| | |
|---------------------------|---------|
| Outside dimension, length | 8.75 mm |
| Outside dimension, width | 10 mm |
| Outside dimension, height | 10 mm |
| Plunger length L | 8.75 mm |

drawings

Dimensioned drawing



L = Plunger length
 L = Total construction height button -4.25 mm