

Product Change Notification PCN

PCN-2022-001

Publication date: January 19, 2022



Dear customer,

The following products of our product range will be changed.

Article number	Description	Category of change	Description of change	Launch date
1.30.290.xxx 9.30.290.xxx	RAFIX 30 FS+ pushbutton	<input checked="" type="checkbox"/> dimensional <input checked="" type="checkbox"/> appearance <input type="checkbox"/> materials <input type="checkbox"/> functional <input type="checkbox"/> other	The previous two-part assembly concept of threaded ring and retaining ring is replaced by a one-piece threaded ring.	February 2022
1.30.292.xxx 9.30.292.xxx	RAFIX 30 FS+ selector switch	<input checked="" type="checkbox"/> dimensional <input checked="" type="checkbox"/> appearance <input type="checkbox"/> materials <input type="checkbox"/> functional <input type="checkbox"/> other	The previous two-part assembly concept consisting of a threaded ring and retaining ring is replaced by a one-piece threaded ring.	February 2022
1.30.295.xxx 9.30.295.xxx	RAFIX 30 FS+ key switch	<input checked="" type="checkbox"/> dimensional <input checked="" type="checkbox"/> appearance <input type="checkbox"/> materials <input type="checkbox"/> functional <input type="checkbox"/> other	The previous two-part assembly concept consisting of a threaded ring and retaining ring is replaced by a one-part threaded ring.	February 2022
1.74.510.xxx 9.74.510.xxx	RAFIX 30 FS+ signal indicator	<input checked="" type="checkbox"/> dimensional <input checked="" type="checkbox"/> appearance <input type="checkbox"/> materials <input type="checkbox"/> functional <input type="checkbox"/> other	The previous two-part assembly concept of threaded ring and retaining ring is replaced by a one-piece threaded ring.	February 2022

The information in this sheet only contains general descriptions and / or performance features, which may not apply precisely as described to the respective application, and which may change due to further product enhancements. The technical data, illustrations and other information about our products are the mere results of individual technical testing. These descriptions and other product features are only binding if they expressly agreed upon at the time of the conclusion of a binding contract. In all other cases, we reserve the right to make technical changes as well as changes of availability. Pictures and other graphic illustrations are approximations only. All product names may be trademarks or brand names of the RAFI Group or any other sub-supplier of RAFI. The use of such by any third parties for their own purposes may infringe the rights of the respective entity holding those rights. Subject to change and errors excepted. Details about delivery times and availability are noncommittal and have no legal force.

Product Change Notification PCN


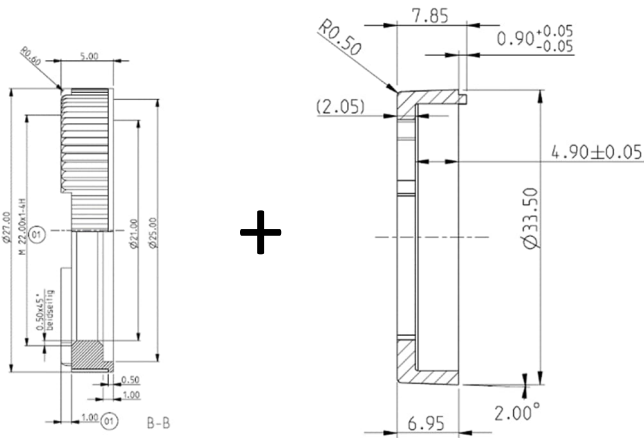

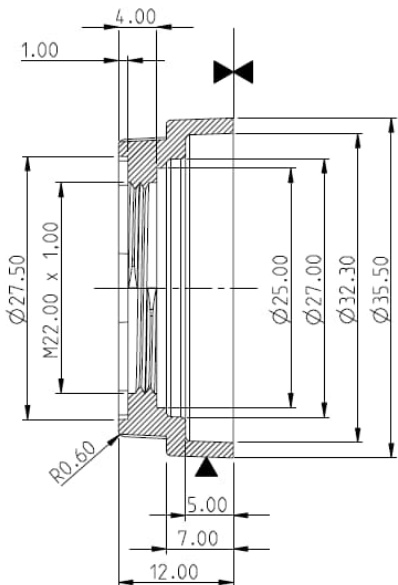
PCN-2022-001

Publication date: January 19, 2022



As you can see from the dimensional drawings below, the change to the one-piece threaded ring results in a changed dimension in your application. In detail, this results in a higher diameter of 35.50 mm and a maximum depth of 12.00 mm in the standard case.

Change in detail

Product so far	Modified product
<p>The threaded ring previously supplied with the actuators of the RAFIX 30 FS+ series consisted of two components, as shown in the following figures. Up to now, two different combinations were possible, depending on the thickness of the front plate.</p> <p>Combination 1 for front panel thickness 1-3 mm:</p>  <p>5.24.279.014/0100 5.45.201.546/0100</p>  <p>Combination 2 for front panel thickness 4-6 mm:</p>  <p>5.45.639.053/0100</p> 	<p>After the change, the threaded ring will be one-piece and replace both previously possible combination. This will allow you to simplify assembly and save time.</p>

The information in this sheet only contains general descriptions and / or performance features, which may not apply precisely as described to the respective application, and which may change due to further product enhancements. The technical data, illustrations and other information about our products are the mere results of individual technical testing. These descriptions and other product features are only binding if they expressly agreed upon at the time of the conclusion of a binding contract. In all other cases, we reserve the right to make technical changes as well as changes of availability. Pictures and other graphic illustrations are approximations only. All product names may be trademarks or brand names of the RAFI Group or any other sub-supplier of RAFI. The use of such by any third parties for their own purposes may infringe the rights of the respective entity holding those rights. Subject to change and errors excepted. Details about delivery times and availability are noncommittal and have no legal force.

Product Change Notification PCN

PCN-2022-001

Publication date: January 19, 2022



Combination 2 for front panel thickness 2.5-4 mm:



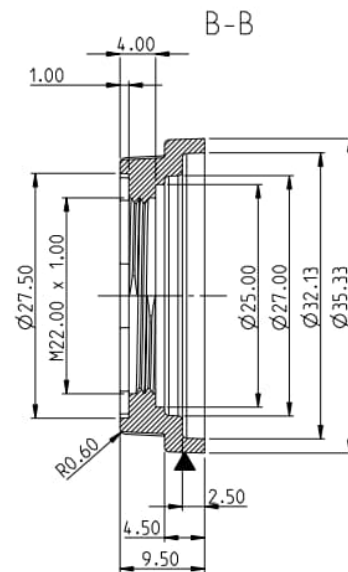
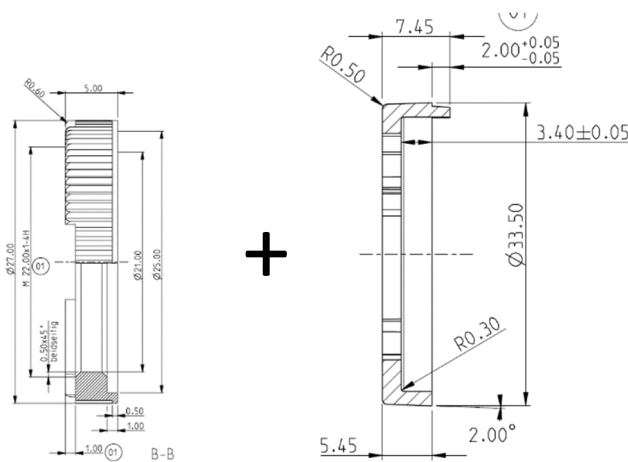
5.24.279.014/0100



5.45.201.556/0700



5.45.639.053/6100



In case of questions or demands do not hesitate to contact the known RAFI contact person.

Please forward this important information also to other responsible departments in your company.

We thank you for the trust you have placed in us and our products and look forward to further cooperation with you.

Best regards,

Product Management

The information in this sheet only contains general descriptions and / or performance features, which may not apply precisely as described to the respective application, and which may change due to further product enhancements. The technical data, illustrations and other information about our products are the mere results of individual technical testing. These descriptions and other product features are only binding if they expressly agreed upon at the time of the conclusion of a binding contract. In all other cases, we reserve the right to make technical changes as well as changes of availability. Pictures and other graphic illustrations are approximations only. All product names may be trademarks or brand names of the RAFI Group or any other sub-supplier of RAFI. The use of such by any third parties for their own purposes may infringe the rights of the respective entity holding those rights. Subject to change and errors excepted. Details about delivery times and availability are noncommittal and have no legal force.