

# Product Change Notification PCN

PCN-2022-011

Publication date: November 7, 2022



Dear customer,

the following products of our product range will be changed.

Article number	Description	Category of change	Description of change	Launch date
1.90.690.361/0000	LED RED TOP SOCKET W 2x4 6D	<input checked="" type="checkbox"/> dimensional <input type="checkbox"/> appearance <input type="checkbox"/> materials <input type="checkbox"/> functional <input type="checkbox"/> other	Change dimensions due to manufacturer change	immediately
1.90.690.362/0000	LED GREEN TOP SOCKET W 2X4 6D	<input checked="" type="checkbox"/> dimensional <input type="checkbox"/> appearance <input type="checkbox"/> materials <input type="checkbox"/> functional <input type="checkbox"/> other	Change dimensions due to manufacturer change	immediately
1.90.690.363/0000	LED ORANGE SOCKET W 2X4 6D	<input checked="" type="checkbox"/> dimensional <input type="checkbox"/> appearance <input type="checkbox"/> materials <input type="checkbox"/> functional <input type="checkbox"/> other	Change dimensions due to manufacturer change	immediately
1.90.690.364/0000	LED BLUE TOP SOCKET W 2x4 6D	<input checked="" type="checkbox"/> dimensional <input type="checkbox"/> appearance <input type="checkbox"/> materials <input type="checkbox"/> functional <input type="checkbox"/> other	Change dimensions due to manufacturer change	immediately
1.90.690.365/0000	LED plinth 24V DC W 2x4,6d, wh	<input checked="" type="checkbox"/> dimensional <input type="checkbox"/> appearance <input type="checkbox"/> materials <input type="checkbox"/> functional <input type="checkbox"/> other	Change dimensions due to manufacturer change	End of 2023

The information in this sheet only contains general descriptions and / or performance features, which may not apply precisely as described to the respective application, and which may change due to further product enhancements. The technical data, illustrations and other information about our products are the mere results of individual technical testing. These descriptions and other product features are only binding if they expressly agreed upon at the time of the conclusion of a binding contract. In all other cases, we reserve the right to make technical changes as well as changes of availability. Pictures and other graphic illustrations are approximations only. All product names may be trademarks or brand names of the RAFI Group or any other sub-supplier of RAFI. The use of such by any third parties for their own purposes may infringe the rights of the respective entity holding those rights. Subject to change and errors excepted. Details about delivery times and availability are noncommittal and have no legal force.

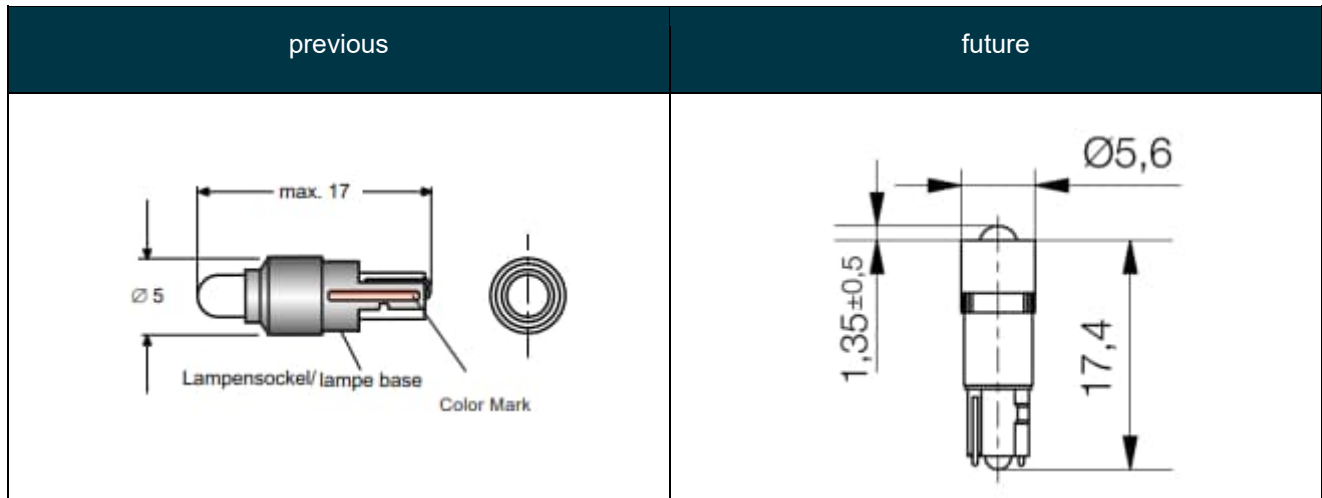
# Product Change Notification PCN

PCN-2022-011

Publication date: November 7, 2022



To ensure our ability to deliver, we had to change the manufacturer of the LEDs. The change of manufacturer results in a change of the LED outer geometry.



In case of questions or demands do not hesitate to contact the known RAFI contact person.

**Please forward this important information also to other responsible departments in your company.**

We thank you for the trust you have placed in us and our products and look forward to further cooperation with you.

Best regards,

Product Management

The information in this sheet only contains general descriptions and / or performance features, which may not apply precisely as described to the respective application, and which may change due to further product enhancements. The technical data, illustrations and other information about our products are the mere results of individual technical testing. These descriptions and other product features are only binding if they expressly agreed upon at the time of the conclusion of a binding contract. In all other cases, we reserve the right to make technical changes as well as changes of availability. Pictures and other graphic illustrations are approximations only. All product names may be trademarks or brand names of the RAFI Group or any other sub-supplier of RAFI. The use of such by any third parties for their own purposes may infringe the rights of the respective entity holding those rights. Subject to change and errors excepted. Details about delivery times and availability are noncommittal and have no legal force.